

# ANNUAL REPORT-2015-16



Together, let us light up our lives

## **ODISHA ELECTRICITY REGULATORY COMMISSION**

**PLOT NO.4, CHUNOKOLI, SAILASHREE VIHAR**

**BHUBANESWAR – 751 021**

**PBX : (0674) 2721048, 2721049**

**FAX : (0674) 2721053, 2721057**

**E-mail : [orierc@rediffmail.com](mailto:orierc@rediffmail.com)**

**Website : [www.orierc.org](http://www.orierc.org)**

## CONTENTS

Sl No.	Description	Para No. (From - To )	Page No. (From - To )
1.	Mission Statement		
2.	Profiles of Chairperson and Members		
3.	Overview of the Commission		
4.	Functions of the State Commission		
5.	Organizational structure of the Commission		
6.	Activities of the Commission 6.1.Tariff Division 6.2 Engineering Division 6.3 Regulatory Affairs Division		
7.	Secretariat & Administrative Functions		
8.	Consumer Interest		
<b>ANNEXURES:</b>			
1.	Schedule of Retail Supply Tariff for 2015-16		
2.	Overall Performance of DISCOMs for 2015-16		
3.	Officers & Staff of the Commission		
4.	Organizational Chart of OERC		
5.	Income & Expenditure Accounts as on 31.03.2016		
6.	Receipts & Payments Accounts as on 31.03.2016		
7.	Balance-sheet as on 31.03.2016		
8.	Seminars, Workshops, Training Programmes etc. attended by the Officials of the Commission		



## ODISHA ELECTRICITY REGULATORY COMMISSION

Together. let us light up our lives

### MISSION STATEMENT

The Odisha Electricity Regulatory Commission (OERC) is committed to fulfill its mandate for creating an efficient and economically viable electricity industry in the State. It balances the interests of all stakeholders while fulfilling its primary responsibility to ensure safe and reliable supply of power at reasonable rates. It is guided by the principles of good governance such as transparency, accountability, predictability, equitability and participation in discharge of its functions. It safeguards the interests of the State and gives a fair deal to consumers at the same time.

### 2. PROFILES OF CHAIRPERSON AND MEMBERS

#### **Shri Satya Prakash Nanda, Chairperson**

Shri S. P. Nanda, formerly of the Indian Administrative Service, joined the Odisha Electricity Regulatory Commission on 13th October, 2011 after retiring as the Member, Board of Revenue to the Govt. of Odisha. Born on 19th March 1952, Shri Nanda has completed Masters Degree in Political Science from University of Delhi. After a brief period of lectureship in Sri Venkateswara College, University of Delhi, he joined the Indian Administrative Service in 1975 in the Odisha cadre.



In an illustrious career spanning over 36 years, Shri Nanda has served as Secretary to Govt. of Odisha in Science and Technology, IT, Higher Education, Industries, Public Enterprises and Forest and Environment Departments. He has also served as the Chairman of the Odisha State Pollution Control Board. Besides he has served Govt. of Odisha as Agriculture Production Commissioner and Development Commissioner. Shri Nanda has made significant contributions in the areas of industrial development, industrial infrastructure development, science & technology, IT and environment management.

During his tenure as Chairman-cum-Managing Director of the Odisha Industrial Infrastructure Development Corporation, he was instrumental in the development, financing and management of various industrial areas and infrastructure projects of the State. Similarly, he has done pioneering work in the field of environment management as Chairman of Odisha State Pollution Control Board when it implemented for the first time the principle - 'Polluter Pays'.

A man of indomitable spirit and impeccable integrity, he has made his presence felt in various sectors of Odisha, be it Revenue, Agriculture, Forest and Environment Management or Industrial Development.

He has attended many national and international training programmes, seminars and workshops.

### **Shri Sivapada Swain, Member**

Shri Sivapada Swain, formerly of the Indian Revenue Service, joined the Odisha Electricity Regulatory Commission on 9th April, 2012 after retiring as the Director General of Income Tax (Exemptions) to the Govt. of India. Born on 24th February 1952, Shri Swain has completed Masters Degree in History from University of Delhi. After a brief period of lecturership in Odisha, he joined the Indian Revenue Service in 1976.



In an illustrious career spanning over 35 years, Shri Swain has held different positions in the field of Administration, Assessments and Investigation in the Income Tax Department of Bhubaneswar, Kolkata, Bangalore, Chennai, Hyderabad and Delhi. He was promoted to the Rank of Chief Commissioner of Income Tax, Additional Secretary to Govt. of India in April 2009 and was initially posted as Director General of Income Tax (Investigation), Hyderabad. Later, he was transferred to Delhi in January 2010.

As a Tax Officer, he has knowledge of not only Income Tax Act but also Company Law, Law of Contract, Transfer of Property and Sale of Goods Act etc. He has long experience in dealing with corporate accounts and finance. As Director of Finance, he was intimately connected with the first Power Purchase Agreement signed with GRIDCO.

A man of knowledge and conviction, he has made immense contribution to the Income Tax Department of the country. He has attended many national and international training programmes, seminars and workshops.

### **Shri Aswini Kumar Das, Member**

Shri A. K. Das, born on 21st March, 1956 in Kalyanpur village of Jajpur District, Odisha, graduated in Electrical Engineering from University College of Engineering, Burla (now VSSUT, Burla) in 1978, completed Master Degree from University of Roorkee (now IIT, Roorkee) in 1988 and Master Degree in Business Administration from Utkal University. He joined Odisha Service of Electrical Engineers in 1978. After serving for 35 years under Govt. of Odisha, he retired as Engineer-in-Chief (Elect.)-cum-Principal Chief Electrical Inspector in March, 2014 to join as Member, OERC, Odisha.



During his tenure under Govt., he contributed to the development of Power Projects of the State like Upper Kolab, Upper Indravati & Rengali Hydro Projects. He had a tenure in Industry Deptt., Govt. of Odisha before moving to the Electrical Inspectorate & Works Deptt. and finally retired as EIC (Elect.)-cum-Principal Chief Electrical Inspector (PCEI).

He visited Japan on Energy Efficiency Activities and has contributed to technical sections in many conferences & seminars and is an active member of the World Energy Council – Indian Member Committee.

### **3. OVERVIEW OF THE COMMISSION**

1. The Orissa Electricity Reform Act, 1995 (Orissa Act 2 of 1996), in short OER Act, 1995 was enacted for the purpose of restructuring the electricity industry, for rationalization of Generation, Transmission, Distribution and Supply of Electricity for opening avenues for participation of private sector entrepreneurs and establishment of a Regulatory Commission in the State, independent of the state government. OER Act, 1995 is the first of its kind in whole of the country. The Electricity Act, 2003 has been modeled mostly on the basis of the provisions of the OER Act, 1995 which came into effect from 10<sup>th</sup> January, 1996.
2. An important component of power sector reform is establishment of an independent autonomous Regulator, the Odisha Electricity Regulatory Commission for achievement of objectives enshrined in the OER Act, 1995. It became functional on 01.8.1996 with the joining of its three members, as the pioneer electricity regulator of the country and continuing as such.
3. The property, interest in property, rights and liabilities belonging to the erstwhile OSEB (Orissa State Electricity Board) were vested in the State Government as on 1.4.1996. All loans, subventions and obligations of the Board towards the State stood extinguished. The State Government classified the assets, liabilities and proceedings acquired by the State as well as the assets, liabilities and proceedings relating to the undertakings owned by the State Government to (a) Generation Undertaking (b) Transmission Undertaking and those not classified within (a) & (b) to residual assets. The State Government was empowered to vest the Undertakings in GRIDCO & OHPC which the State did but only after upvaluation of assets on the same day and restructured the Balance Sheet of GRIDCO and OHPC.
4. The Grid Corporation of Odisha Limited (GRIDCO) was incorporated under Companies Act, 1956 on 20.4.1995. All Transmission and Distribution Undertakings were transferred to GRIDCO on 01.4.1996 with upvalued cost with a restructured Balance Sheet. It was to engage in the business of procurement, transmission & bulk supply of electric energy apart from planning, co-ordination & load forecast.
5. The Odisha Hydro Power Corporation Limited (OHPC) was incorporated under the Companies Act, 1956 on 21.4.1995. All the generating assets of Government as well as OSEB have been transferred to OHPC on 01.4.1996. This Corporation takes care of all the operating and ongoing Hydro Power Stations. 49% of the share of the Odisha Power Generation Corporation (OPGC) were disinvested to the US based AES company in January, 1999.
6. As a sequel to the passing of the Act, the distribution of power was privatized in Odisha and the management of the four subsidiary companies in charge of distribution in the Central, Northern, Southern and Western zones of Odisha, namely CESCO, NESCO, SOUTHCO and WESCO was entrusted to private companies which took over 51% of the shares. GRIDCO became a deemed trading licensee from 10.6.2005.

- The Odisha Power Transmission Corporation Ltd. (OPTCL) took over intra-state transmission & functions of the State Load Despatch Centre (SLDC) on the same date.
7. In the year 2003, the Electricity Act, 2003 was enacted by Govt. of India and this came into force w.e.f 10.06.2003. The Electricity Act, 2003 has been modeled mostly on the basis of the various provisions of the OER Act, 1995. The Electricity Act, 2003 aims to promote competition, protect interest of consumers while supplying electricity to all areas, rationalize electricity tariff, ensure transparent policies regarding subsidies, and provide an enabling regulatory environment. Besides allowing for private investments in all the segments of the electricity supply chain, the Act provides various measures to introduce competition in the electricity industry. Now, the Chairperson and Members of OERC are appointed under section 82(5) of the Electricity Act, 2003 (No 36 of 2003) which is a Central Act.
  8. The OERC completed 20<sup>th</sup> year of its operation on 01.08.2016. The Commission is operating at Plot No.4, Chunokoli, Sailashree Vihar, Bhubaneswar – 751 021.

#### **4. FUNCTIONS OF THE STATE COMMISSION**

1. Section 86 of the Electricity Act, 2003 deals with the functions of the State Commission. As per section 86(1), the State Commission shall discharge the following functions, namely:-
  - (a) Determine the tariff for generation, supply, transmission and wheeling of electricity, wholesale, bulk or retail, as the case may be, within the state.
  - (b) Regulate electricity purchase and procurement process of distribution licenses including the price at which electricity shall be procured from the generating companies or licensees or from other sources through agreements for purchase of power for distribution and supply within the State;
  - (c) Facilitate intra-State transmission and wheeling of electricity;
  - (d) Issue licenses to persons seeking to act as transmission licensees, distribution licensees and electricity traders with respect to their operations within the State;
  - (e) promote co-generation and generation of electricity from renewable sources of energy by providing suitable measures for connectivity with the grid and sale of electricity to any person, and also specify, for purchase of electricity from such sources, a percentage of the total consumption of electricity in the area of a distribution licensee;
  - (f) Adjudicate upon the disputes between the licensees and generating companies and to refer any dispute for arbitration;
  - (g) Levy fee for the purpose of this Act;
  - (h) Specify State Grid Code consistent with the Grid Code specified under clause (h) of subsection (1) of Section 79 of the Electricity Act, 2003.
  - (i) Specify or enforce standards with respect to quality, continuity and reliability of service by licensees;
  - (j) Fix the trading margin in the intra-state trading of electricity; if considered, necessary; and

- (k) Discharge such other functions as may be assigned to it under the Electricity Act, 2003.
2. As per Section 86(2) of the Electricity Act, 2003, the State Commission shall advise the State Government on all or any of the following matters, namely:-
- (i) Promotion of competition, efficiency and economy in activities of the electricity industry;
  - (ii) Promotion of investment in electricity industry;
  - (iii) Reorganization and restructuring of electricity industry in the State;
  - (iv) Matters concerning generation, transmission, distribution and trading of electricity or any other matter referred to the State Commission by that Government.
3. As per Section 86(3) the State Commission shall ensure transparency while exercising its powers and discharging its functions. Section 86(4) in discharge of its functions, the State Commission shall be guided by the National Electricity Policy, 2005, National Electricity Plan and Tariff Policy, 2016 published under subsection(2) of section 3 of the Electricity Act, 2003.
4. Besides, the other provisions of the Electricity Act, 2003 which have a direct bearing on the functioning of the Commission are extracted below for reference.

***(a) Section 11 – Directions to generating companies***

- (1) The Appropriate Government may specify that a generating company shall, in extraordinary circumstances operate and maintain any generating station in accordance with the directions of that Government. Explanation - For the purposes of this section, the expression “extraordinary circumstances” means circumstances arising out of threat to security of the State, public order or a natural calamity or such other circumstances arising in the public interest.
- (2) The Appropriate Commission may offset the adverse financial impact of the directions referred to in sub-section (1) on any generating company in such manner as it considers appropriate.

***(b) Section 23 - Directions to Licensees***

If the Appropriate Commission is of the opinion that it is necessary or expedient so to do for maintaining the efficient supply, securing the equitable distribution of electricity and promoting competition, it may, by order, provide for regulating supply, distribution, consumption or use thereof.

***(c) Section 37 – Directions by Appropriate Government***

The Appropriate Government may issue directions to the Regional Load Despatch Centres or State Load Despatch Centres, as the case may be to take such measures as may be necessary for maintaining smooth and stable transmission and supply of electricity to any region or State.

***(d) Section 108 – Directions by State Government***

In the discharge of its functions, the State Commission shall be guided by such directions in matters of policy involving public interest as the State Government may give to it in writing. If any question arises as to whether any such direction

relates to a matter of policy involving public interest, the decision of the State Government thereon shall be final.

## **5. ORGANISATIONAL STRUCTURE OF THE COMMISSION**

The OERC is a three member Commission headed by the Chairperson. The Commission has four Divisions namely, Tariff, Engineering, Regulatory Affairs and Secretariat Division. Tariff Division is entrusted upon the responsibilities of assisting the Commission in preparing various Tariff and/or Commercial Orders based on applications of licensees, generators, consumers, government and other stakeholders. Engineering Division assists the Commission in monitoring technical performance of the Utilities under various technical parameters, including License Conditions and Performance Standards. The Commission is assisted by Regulatory Affairs Division on all legal matters. This Division renders necessary legal advice to the Commission and with the help of advocates represents the Commission in various Courts, Fora and Tribunals. The Secretariat Division assists the Commission in day-to-day administrative functioning of the office. It is the repository of the Commission's order and records and carries out all correspondences on behalf of the Commission. This Division authenticates all the orders passed by the Commission. There is a State Advisory Committee (SAC) and its meetings are held in every quarter to discuss various practical issues facing the licensees/consumers/other stakeholders. The Commission benefits by interacting with the Members of the SAC, who represent perhaps every corner of the State.

## **6. ACTIVITIES OF THE COMMISSION**

### **6.1 TARIFF DIVISION:**

According to Section 86(1)(a) of the Electricity Act, 2003, the Commission determines the Tariff for Generation, Supply, Transmission and wheeling of electricity, wholesale, Bulk or Retail, as the case may be within the State of Odisha. Keeping this in view the Commission obtains and analyses the Annual Revenue Requirements of the licensees and determines charges to be levied on various categories of consumers including those seeking open access to the intra-state transmission and distribution systems. It also undertakes scrutiny of Power Purchase Agreements, approval of MYT Principles, Cost Data and Business Plans etc.

While fixing retail tariff for different types of consumers, Commission is mandated to follow the provisions of the Electricity Act, 2003, Tariff Policy notified on 28.01.2016 and National Electricity Policy notified on 12.2.2005. Sections 61, 62, 63, 64, 65 and 86 of the Electricity Act, 2003 deal with principles and guidelines of tariff fixation. The important parameters for tariff fixation are as follows:-

- (i) The generation, transmission, distribution and supply of electricity should be conducted on commercial principles: Section 61(b) of Electricity Act, 2003.
- (ii) The factors which would encourage competition, efficiency, economical use of the resources, good performance and optimum investments: Section 61(c).



- (iii) Safeguarding the consumers' interests and at the same time recovering the cost of supply of electricity in a reasonable manner: Section 61(d).
- (iv) The principles regarding efficiency in performance: Section 61(e).
- (v) The tariff progressively reflects the cost of supply of electricity and also reduces cross subsidies in the manner specified by the appropriate Commission: Section 61(g).
- (vi) The National Electricity Policy envisages existence of some amount of cross-subsidy. As per Para 1.1 of National Electricity Policy, the supply of electricity at reasonable rate to rural India is essential for its overall development. Equally important is availability of reliable and quality power at competitive rates to Indian Industry to make it globally competitive and to enable it to exploit the tremendous potential of employment generation.

Similarly, as per Para 5.5.2 of the National Electricity Policy, a minimum level of support may be required to make the electricity affordable for consumers of very poor category. Consumers below poverty line who consume below a specified level, say 30 units per month, may receive special support in terms of Tariff which are cross-subsidized. Tariff for such designated group of consumers will be at least 50% of the "average (overall) cost of supply".

- (vii) Promotion of Co-generation and generation of electricity from renewable sources of energy: Section 61(h).

Section 86(1) (e) casts responsibilities on the State Commission to promote co-generation and generation of electricity from renewable sources of energy by providing suitable measures for connectivity with the grid and sale of electricity to any person, and also specify, for purchase of electricity from such sources, a percentage of the total consumption of electricity in the area of a distribution licensee.

### 1. Consumers' Status:

The DISCOM-wise status of consumers in terms of Rural-Urban classification and category-wise consumption at the end of March, 2016 is as shown in the table below, which is self-explanatory:

Category of Consumers	CESU		NESCO		WESCO		SOUTHCO	
	Nos. of Consumers	% to Total	Nos. of Consumers	% to Total	Nos. of Consumers	% to Total	Nos. of Consumers	% to Total
Urban	532412	25.18	263278	18.85	266333	21.19	254768	17.26
Rural	1582396	74.82	1133510	81.15	990757	78.81	1221547	82.74
Total	2114808	100.00	1396788	100.00	1257090	100.00	1476315	100.00
<b>CATEGORY-WISE CONSUMPTION (MU)</b>								
Kutir Jyoti	22.65	0.41	85.07	2.23	143.21	3.11	228.07	10.98
Agricultural	46.65	0.84	60.35	1.59	82.90	1.78	50.48	2.43
Domestic	2341.42	42.03	1177.48	30.93	1263.30	27.48	963.21	46.36
Commercial	975.36	17.51	316.58	8.32	270.15	5.88	202.12	9.73
Industrial	1551.60	27.86	1737.62	45.65	2275.69	49.49	414.73	19.96
Others	632.80	11.36	429.59	11.29	563.71	12.26	219.26	10.55
Total	5570.78	100.00	3806.69	100.00	4597.95	100.00	2077.87	100.00

- 2. The important orders passed by the Commission during 2015-16 relating to Tariff matters are as follows:

- (i) Approval of Annual Revenue Requirement & Bulk Supply Price of GRIDCO for FY 2016-17 (Case No. 54 of 2015);
- (ii) Approval of Annual Revenue Requirement & Transmission Tariff of OPTCL for FY 2016-17 (Case No. 55 of 2015);
- (iii) Approval of Annual Revenue Requirement & Generation Tariff of OHPC for FY 2016-17 (Case No. 52 of 2015);
- (iv) Approval of Annual Revenue Requirement & Generation Tariff of OPGC for FY 2016-17 (Case No. 53 of 2015);
- (v) Approval of ARR and Fees and charges of State Load Dispatch Centre for FY 2016-17 (Case No. 56 of 2015);
- (vi) Approval of Annual Revenue Requirement & Retail Supply Tariff of four DISCOM Utilities for FY 2016-17 (Case Nos. 57, 58, 59 & 60 of 2015).

### 3. Salient features of Retail Supply Tariff – 2016-17

As per Section 61, 62, 65, 86 of Electricity Act, 2003, National Electricity Policy, 2005, Tariff Policy, 2016 (notified on 28.01.2016) and OERC (Terms and Conditions for Determination of Wheeling Tariff and Retail Supply Tariff) Regulations, 2014, the Annual Electricity Tariff is determined by OERC in respect of generation, transmission and retail supply to the consumers of the state taking into account the operational efficiency & commercial viability of the generators & licensees. The Commission balances the interest of all stake holders while determining such tariff. The Commission after taking into account the proposal filed by the utilities, advice of the SAC, opinion of the State Govt. and conducting a Public Hearing has passed the Annual Revenue Requirement and Tariff Order for the FY 2016-17 on 21.03.2016 which have been effective from 1<sup>st</sup> April, 2016. The Retail Supply tariff effective from 1<sup>st</sup> April, 2016 is presented in **Annexure-1**.

#### **Highlights of Tariff:-**

- There is no rise in Retail Supply Tariff (RST) for FY 2016-17 for all categories of Consumers.
- No change in Transmission charges during FY 2016-17 and the same remains at 25 paise/unit as in 2015-16.
- The average cost of supply of DISCOMs has decreased from 488.81 Paise/unit in 2015-16 to 480.40 paise/unit in 2016-17.
- There is no change in meter rent.
- Cross subsidy has remained within  $\pm 20\%$  for all categories(LT/HT/EHT).
- The average power purchase price of GRIDCO has slightly decreased from 229.97 paise/unit in 2015-16 to 229.44 paise/unit in 2016-17 against the GRIDCO's proposal of 271.97 paise/unit.
- Average BSP of GRIDCO has decreased from 284.29 paise/unit in 2015-16 to 273.14 paise/unit in 2016-17 against its proposal of 362.62 paise/unit. The decrease of BSP is primarily attributing to reduction of imported cost of Coal & reduction of industrial consumption. Reduction of energy consumption of about

1064 MU has been estimated in case of EHT consumers for FY 2016-17 due to industrial recession in comparison to FY 2015-16 which resulted in less purchase of high cost power from generators.

- Due to reduction of EHT consumption, the revenue earning from such consumers has been reduced and also power purchase burden has also reduced. Accordingly, the BSP is reduced.
- Out of average Bulk Supply Price (BSP) of 273.14 paise /unit of GRIDCO, CESU is required to pay 270.00 paise/unit, NESCO 297.00 paise/unit, WESCO 296.00 paise/unit and SOUTHCO 197.00 paise/unit. All the distribution utilities have to pay 25 paise/unit as Transmission cost to OPTCL.
- In order to have an appropriate Energy Accounting procedure and to identify/plug the revenue leakages, the Commission has approved about Rs.100.00 crore for AT & C loss reduction activities including energy audit. The Commission has also directed the DISCOMs to complete pole scheduling, consumer indexing and distribution network mapping lined with indexed consumers for such purpose.
- As the approved quantum of renewable energy is not adequate to meet the Renewable Purchase Obligation (RPO) for FY 2016-17 as per OERC Regulations, the Commission has provisionally allowed Rs.30.00 crore in the ARR of GRIDCO for FY 2016-17 exclusively towards purchase of additional quantum of Renewable Energy.
- The Commission has not accepted the proposed ARR of DISCOMs amounting to Rs. 11,519 Cr. and approved an amount of Rs.9, 272.76 Cr. only.
- The Commission has approved the distribution loss of 21.35% against the proposed distribution loss of 30.64% by DISCOMs. Similarly, the Commission has approved AT&C loss of 22.14% instead of 32.82% proposed by DISCOMs.
- Section 61(g) of the Electricity Act, 2003 read with para 8.3.2 of Tariff Policy, 2006 stipulates that the tariff should be within  $\pm 20\%$  of the average cost of supply. Hence, average tariff of any consumer should not be more than 576.48 paise and less than 384.32 paise. With this mandate, the Commission has fixed 393.36 paise in case of LT (-18.12% of average cost of supply of 480.40 paise), 575.86 paise for HT (+19.87% of average cost of supply of 480.40 paise) and 572.36 paise for EHT (+19.14% of average cost of supply of 480.40 paise).
- The Commission, for the first time has determined the generation Tariff of OPGC Ltd. as per OERC Generation Regulation, 2014 after withdrawal of Special Leave Petition by OPGC from Hon'ble Supreme Court. The Commission has approved the purchase of 2861.50 MU @ 190.26 P/U in place of OPGC proposal of 209.92 P/U for FY 2016-17.
- The Commission has directed the DISCOMs to explore the possibility of printing the electricity bill in Odia language.
- The Commission has also directed the DISCOMs to fix responsibility on the erring officials who are colluding with unscrupulous persons stealing powers

#### **4. Other features of the RST Order for 2016-17**

- (i) The graded slab tariff for HT & EHT consumers for FY 2016-17 is given as under:

**Slab rate of energy charges for HT & EHT (Paise/unit)**

Load Factor (%)	HT	EHT
= < 60%	525	520
> 60%	420	415

The reconnection charges w.e.f. 01.4.2016 shall continue as under:

Category of Consumers	Rate Applicable
LT Single Phase Domestic Consumer	Rs.150/-
LT Single Phase other consumer	Rs.400/-
LT Three Phase consumers	Rs.600/-
All HT & EHT consumers	Rs.3000/-

- (ii) Energy Charges shall be 10% higher in case of temporary connection compared to the regular connection in respective categories.
- (iii) The meter rent w.e.f. 01.4.2016 shall remain unaltered as follows:

Type of Meter	Monthly Meter Rent (Rs.)
1. Single phase electro- magnetic Kwh meter	20
2. Three phase electro- magnetic Kwh meter	40
3. Three phase electro- magnetic tri-vector meter	1000
4. Tri-vector meter for Railway Traction	1000
5. Single phase Static Kwh meter	40
6. Three Phase Static Kwh meter	150
7. Three phase Static Tri-vector meter	1000
8. Three phase Static Bi-vector meter	1000
9. LT Single phase AMR/AMI Compliant meter	50
10. LT Three phase AMR/AMI compliant meter	150

Note: Meter rent for meter supplied by DISCOMs shall be collected for a period of 60 months only. Once it is collected for sixty months meter rent collection should stop.

- (i) A Reliability surcharge @ 10 paise per unit will continue for HT and EHT consumers availing power irrespective of nature of feeder. This surcharge @ 10 paise per unit shall be charged if reliability index is more than 99% and above and voltage profile at consumer end remains within the stipulated limit.
- (ii) Prospective small consumers requiring new LT single phase connection upto and including 5 kW load shall only pay a flat charge of Rs.1500/- as service connection charges towards new connection excluding security deposit as applicable as well as processing fee of Rs.25/-. The service connection charges include the cost of material and supervision charges.
- (iii) A “Tatkal Scheme” for new connection is applicable to LT Domestic, Agricultural and General Purpose consumers.
- (iv) In case of installation with static meter/meter with provision of recording demand, the recorded demand rounded to nearest 0.5 KW shall be considered as

- the contract demand requiring no verification irrespective of the agreement. Therefore, for the purpose of calculation of Monthly Minimum Fixed Charge (MMFC) for the connected load below 110 KVA, the above shall form the basis.
- (v) The billing demand in respect of consumer with Contract Demand of less than 110 KVA should be the highest demand recorded in the meter during the Financial Year irrespective of the Connected Load, which shall require no verification.
  - (vi) Three phase consumers with static meters are allowed to avail TOD rebate excluding Public Lighting and emergency supply to CGP @ 20 paise/unit for energy consumed during off peak hours. Off peak hours has been defined as 12.00 Midnight to 6.00 AM of next day.
  - (vii) Hostels attached to the Schools recognised and run by SC/ST Dept., Govt. of Odisha shall get a rebate of Rs.2.40 paise per unit in energy charge under Specified Public Purpose category (LT / HT) which shall be over and above the normal rebate for which they are eligible.
  - (viii) Swajala Dhara consumers under Public Water Works and Sewerage Pumping Installation category shall get special 10% rebate if electricity bills are paid within due date over and above normal rebate.
  - (ix) During the statutory restriction imposed by the Fisheries Department, the Ice Factories located at a distance not more than 5 Km. towards the land from the sea shore of the restricted zone will pay demand charges based on the actual maximum demand recorded during the billing period.
  - (x) Poultry Farms with attached feed units having connected load less than 20% of the total connected load of poultry farms should be treated as Allied Agricultural Activities instead of General Purpose category for tariff purpose. If the connected load of the attached feed unit exceeds 20% of the total connected load then the entire consumption by the poultry farm and feed processing unit taken together shall be charged with the tariff as applicable for General Purpose or the Industrial Purpose as the case may be.
  - (xi) The food processing unit attached with cold storage shall be charged at Agro-Industrial tariff if cold storage load is not less than 80% of the entire connected load. If the load of the food processing unit other than cold storage unit exceeds 20% of the connected load, then the entire consumption by the cold storage and the food processing unit taken together shall be charged with the tariff as applicable for general purpose or the industrial purpose as the case may be.
  - (xii) Drawal by the industries during off-peak hours upto 120% of Contract Demand without levy of any penalty has been allowed. "Off-peak hours" for the purpose of tariff is defined as from 12.00 Midnight to 6.00 A.M. of the next day. The consumers who draw beyond their contract demand during hours other than the off-peak hours shall not be eligible for this benefit. If the drawal in the off peak hours exceeds 120% of the contract demand, overdrawal penalty shall be charged over and above the 120% of contract demand. When Statutory Load

Regulation is imposed then restricted demand shall be treated as contract demand.

- (xiii) General purpose consumers with Contract Demand (CD) < 70 KVA shall be treated as LT consumers for tariff purposes irrespective of level of supply voltage. As per Regulation 76 (1) (c) of OERC Distribution (Conditions of Supply) Code, 2004 the supply for load above 5 KW upto and including 70 KVA shall be in 2-phase, 3-wires or 3-phase, 3 or 4 wires at 400 volts between phases.
- (xiv) Own Your Transformer – “OYT Scheme” is intended for the existing individual LT domestic, individual/Group General Purpose consumers who would like to avail single point supply by owning their distribution transformer. In such a case licensee would extend a special concession of 5% rebate on the total electricity bill (except electricity duty and meter rent) of the respective category apart from the normal rebate on the payment of the bill by the due date. If the payment is not made within due date no rebate, either normal or special is payable. The maintenance of the ‘OYT’ transformer shall be made by DISCOM utilities. For removal of doubt it is clarified that the “OYT Scheme” is not applicable to any existing or new HT/EHT consumer.
- (xv) Power factor penalty shall be
  - i) 0.5% for every 1% fall from 92% upto and including 70% plus
  - ii) 1% for every 1% fall below 70% upto and including 30% plus
  - iii) 2% for every 1% fall below 30%The penalty shall be on the monthly demand charges and energy charges  
There shall not be any power factor penalty for leading power factor.
- (xvi) The power factor incentive shall be applicable to the consumers who pay power factor penalty in the following rate:  
The rate of power factor incentive shall be 0.5% for every 1% rise above the PF of 97% up to and including 100% on the monthly demand charges and energy charges.
- (xvii) The printout of the record of the static meter relating to MD, PF, number and period of interruption shall be supplied to the consumer wherever possible with a payment of Rs.500/- by the consumer for monthly record.

## 5. Important initiatives by the Commission

The Commission had allowed different schemes which were introduced in earlier RST orders and are now continued during 2016-17.

### (a) Commission monitored Smart Metering, Energy Audit and SCADA Schemes

The Commission in its Tariff Order for FY 2014-15 in Para 214-215 had directed DISCOMs to implement smart metering, energy audit and SCADA schemes and had also provided Rs.48 crs., Rs.38 Crs., Rs.30 Crs. and Rs.15 Crs. under Special R&M to CESU, WESCO, NESCO and SOUTHCO respectively. But the progress in implementation of these ambitious schemes is

very negligible. Therefore, since the Commission has allowed Rs.131 Crs. for the year 2014-15 to all the DISCOMs and they have spent very little in this area, the DISCOMs were directed to complete the smart metering, energy audit and SCADA schemes as directed in the RST Order for 2014-15.

**(b) Special Rebate to the consumers opting for use of Smart Meter**

The consumers who will avail power supply through smart meters shall continue to get a special rebate of 25 paise/unit (including all other regular rebate in vogue) as directed by the Commission in Para 214 in Retail Supply Tariff Order for FY 2014-15. Since Commission had decided to provide expenses towards purchase of meters for the smart metering scheme, DISCOMs were directed not to charge cost of meter or meter rent for such consumers who have been provided with smart meter with remote connection and disconnection.

**(c) Provision for part payment of Electricity Bill**

The Commission decides to continue with the provision of accepting part payment for any month by a consumer as follows:

- a) Part payment of minimum Rs.50/- for consumers having outstanding billed amount upto Rs.100/- (including arrears)
- b) Part payment of minimum Rs.100/- for consumers having outstanding billed amount upto Rs.300/- (including arrears)
- c) Part payment of minimum 50% of the bill having outstanding billed amount above Rs.300/- (including arrears)

**(d) Tatkal Scheme for New Connection**

The Tatkal scheme for consumers availing LT supply for Domestic, Agricultural and General Purpose shall continue in 2015-16 as directed vide para 274-276 of the RST order for FY 2014-15. The Tatkal charges are given below:

Category of Consumers	Tatkal charges
LT Single phase upto 5 kW load	<b>Rs.2000/-</b>
LT three phase 5 kW and above	<b>Rs.2500/-</b>
LT Agricultural consumers	<b>Rs.1000/-</b>
LT General Purpose single phase and three phase consumers	<b>Rs.4000/-</b>

The above Tatkal charges do not include meter cost.

**6. Distribution CAPEX Programme**

In order to provide quality power at a stable voltage, strengthening the fragile distribution network, reducing high AT & C loss etc, the State Govt. formulated Rs.2400 cr. CAPEX programme in distribution sector with the support of Finance Commission grant of Rs.500 cr. The investment of Rs. 2400 cr. was envisaged over a period of 4 years starting from FY 2010-11 to FY 2013-14. Out of which Govt. would provide Rs.1200 cr. and DISCOMs would invest Rs.1200 cr. as counter-part funding. Out of Rs.1200.00 cr. to be provided by Govt., Rs.666.67 cr. will carry 0% interest

which will be converted to grant subject to achievement of AT & C loss target of 3% per annum and after full utilization. The balance Rs.533 cr. will carry 4% interest. The repayment period of loan is 15 years with a moratorium period of 5 years secured through Escrow mechanism.

**Progress Status:**

From the date of notification of this CAPEX programme, the following progress have been achieved till the end of February 2016:

- (a) DISCOMs have floated tender of worth Rs.929.03 cr. (WESCO - Rs. 187.69 Cr., NESCO- Rs. 192.37 cr. SOUTHCO- Rs. 165.40 cr. and CESU – Rs.383.57 cr.) for supply as well as turnkey projects.
- (b) Purchase Orders worth Rs.521.82 cr. have been placed for procurement of materials such as Power Transformers, A.B. Cable, Conductor, VCB and D.T etc. and turnkey Works orders worth Rs.368.44 cr. have been placed for execution of erection works. In total Rs. 890.26 cr. orders have been placed.
- (c) Govt. of Odisha has released Rs.755.83 cr., out of which Rs.628.00 cr. have been spent by DISCOMs towards procurement of equipments and erection works till 29.02.2016. The details are furnished below:

<b>Fund Released by Govt.</b>		<b>Amount Spent by DISCOMs</b>	
<b>Financial Year</b>	<b>Amts(Rs. Cr)</b>	<b>DISCOMs</b>	<b>Amts(Rs. Cr)</b>
2010-11	205.00	CESU	267.42
2011-12	215.83	WESCO	128.06
2012-13	135.00	NESCO	131.16
2013-14	125.00	SOUTHCO	101.36
2014-15	75.00		
<b>Total</b>	<b>755.83</b>	<b>Total</b>	<b>628.00</b>

**Physical Progress**

<b>Scope</b>	<b>Unit</b>	<b>Target</b>	<b>Completed Work</b>	<b>Work in progress</b>
33/11 KV sub-station – New + Upgradation	Nos.	194	179	15
33 KV line – New + Upgradation	Kms.	2414	1508	906
11 KV line – New + Upgradation	Kms.	5290	2960	2330
DTR	Nos.	3440	2586	854
AB Cables	Kms.	7103	3766	3337
Meter	Nos.	588531	296034	292497

- (d) As per the revised scheme the first phase of the CAPEX work was limited up to 2013-14 for Rs.960.83 cr. leaving the balance to be spent in the second phase. Subsequently, the scheme i.e. IPDS & DDUGJY were launched with better financial support from the Central Govt., with the similar objective for system improvement in the distribution sector. The CAPEX scheme therefore found to be redundant and decided to be pre-closed after first phase of operation.



(e) In the Expenditure Finance Committee (EFC) held on 14.5.2015 under the Chairmanship of ACS (Finance), it has been decided to close the programme at the level of funding provided by the State Govt., till the end of 2014-15. The outstanding liability if any relating to the programme is to be met by arranging counterpart funding by the DISCOMs.

Out of the total provision of Rs.960.83 cr. till FY 2013-14 the counterpart funding of DISCOMs comes to Rs.83.34 cr. The balance amount of Rs.877.79 cr. is funded by Govt. of Odisha. Till date Govt. has released Rs.755.83 cr. The balance amount of Rs.121.66 cr. is to be released by Govt. towards payment of outstanding bills for procurement of materials and turnkey works for which work order have been placed by DISCOMs and materials has been received or turnkey work is in progress.

Besides above, to strengthen the transmission and distribution network and to cater to the future growth, different schemes are under implementation by Govt. of Odisha either from their own fund or jointly with funding from Govt of India.

## 7. Other Important Schemes

### A. Distribution Sector Schemes:

Sl. No.	Name of Scheme	Scope	Project Cost	Funding	Project Period	Progress
1.	DeenDayalUpadhaya Gram JyotiYojana (DDUGJY)	Construction of New 33/11 kV Substations, 33 kV bay extension, construction of 33 kV,11 kV & LT lines, Installation of distribution transformer and providing service connection to BPL consumer spread all over the State	Rs.1648.26 Cr.	GoI:GoO-60:40	18 Months	DPR has been approved and Tenders have been floated. LoA have been issued for projects within the geographical license area of 3 Utilities (WESCO/NESCO/SOUTHCO)
2	Integrated Power Development Scheme (IPDS)	Formulated for urban areas (Statutory Towns) only and will cover works relating to strengthening of sub-transmission including provisioning of solar panels on Govt. building, Net-metering, metering of feeders /distribution transformers/consumers and IT enablement extended to the statutory towns.	Rs.1079 Cr.	GoI:GoO – 60:40	24 Months	Rs.1079 Crs. has been approved by the Monitoring Committee. Tender has been floated and evaluation process is going on.
3	Odisha Distribution System Strengthening Project (ODSSP)	Construction of 500 nos. 33/11 KV Substations across the State to improve the quality of supply of power.	Rs. 3,600 Cr.	GoO : 100%	2014-2019	Physical:48 nos. Sub-stations charged during FY 2016-17 Financial:Rs.1350.00Cr
4	Dedicated Fishery Feeder	Dedicated 19 nos. of Fishery feeders	151.00 Cr.	-	FY 2016-17	Work awarded for construction of 19 Nos

						11KV dedicated Fishery Feeders. Out of which, construction for 15 Nos 11KV dedicated Fishery Feeders is going on.
5	Rajiv Gandhi Grameen Vidyutikaran Yojana (RGGVY- II)	Electrification of un-electrified villages/partially electrified villages and BPL households	Rs.3550.45 Cr.	-	FY 2014-17	254 Villages & 3281 Nos of Households electrified under this Scheme till Aug'2016

The above table is self explanatory.

### B. Transmission Sector Schemes:

Sl. No.	Name of Scheme	Scope	Project Cost	Project Period	Progress
1	State Capital Region Improvement of Power System (SCRIPS)	To meet the energy needs of the state capital region ensuring 24x7 uninterrupted stable power supplies to all classes of consumers. This scheme envisages setting up of GIS grid stations & GIS 33/11 KV S/s, underground cabling for 132 kV and below voltage level. Automation and use of Smart Grid Technology	Rs.1492 Cr.	FY 2015-16 to FY 2019-20	<ul style="list-style-type: none"> <li>• Three nos. of 132 kV lines have been completed.</li> <li>• 220 kV Grid Sub-station at Bidanasi have been completed.</li> <li>• Expenditure till date Rs.68 Crs.</li> </ul>
2	Radial to Ring Conversion Projects (RRCP)	To strengthen the electrical infrastructure by providing alternate source for smooth and reliable quality power supply and to improve the system availability by reducing the outage of Distribution System	Rs.249.94 Cr.	FY 2015-16 to FY 2017-18	Financial : Rs.44.20 Cr
3	Disaster Resilient Power System (DRPS)	To increase the Grid efficiency, reliability and resilience making the network less vulnerable to all types of adverse weather conditions.	Rs.231.43 Cr.	FY 2015-16 to FY 2017-18	Financial : Rs.31.19 Cr
4	Disaster Response Centre (DRC)	For quick restoration of power supply disrupted due to occurrence of disaster/calamities and restore the power supply within minimum time span	Rs.151.33 Cr.	FY 2015-16 to FY 2017-18	Financial : Rs.14.39 Cr
5	Smart Grid	For adoption of Smart Grid technology for power system having components i.e GIS, SCADA, OPGW & AMI, in order to ensure uninterrupted power supply to the consumers.	Rs.249.70 Cr.	FY 2015-16 to FY 2017-18	Physical Progress: The AMIs for 95 S/s have been completed and the SCADA for 19 Grids and 35 RTUs are completed. Financial Progress: Rs.120.12 Cr.
6	Odisha Power Sector Externally	To strengthen transmission capacity of OPTCL.	Rs.1146.68 Cr.	FY 2016-17	NIL

Aided Projects (JICA)	17 nos. of GRID sub-stations and 590 Kms of line.		to FY 2019-20	
--------------------------	--	--	------------------	--

The above table is self explanatory.

## 8. Energy Audit

- Energy audit is the basic tool in the hands of the DISCOMs to assess the health of the business. The Commission have been pursuing with the DISCOMs to undertake enterprise wise energy audit for the last several years. Of late there has been a visible change in the mind set of the DISCOMs and they have undertaken certain steps in this direction. A review on the progress of Energy Audit by the DISCOMs was conducted by the Commission during the month of Nov 2015 wherein the DISCOMs were asked to submit a road map to complete energy audit in their entire area of operation within a near time frame covering not less than ten (10) numbers of feeders in a month. The initiatives taken by the DISCOMs as presented during the review are given bellow:

### CESU

CESU has undertaken energy audit for the following feeders to determine loss at various levels in their distribution system.

33KV feeders taken for study – 108 nos (for technical loss based upon empirical formula)

11KV feeders taken for study- 136 nos (for technical loss based upon empirical formula)

LT line loss taken for study – All LT lines of CESU (arithmetic calculation)

33KV feeders taken for study – 10 nos (for distribution loss between 33KV to consumers)

11KV feeders taken for study- 333 nos (for distribution loss between 11Kv to consumers)

DT taken for study – 209 nos (for distribution loss between DT to consumers)

### NESCO

NESCO Utility submitted that they have completed energy audit from DTR consumer level in 11 KV Sahadevkhunta feeder under Balasore division. The LT loss level has reduced to 15% from 35% between July to September, 2015.

### WESCO

WESCO Utility submitted that it has undertaken the Energy Audit of 11kv feeders on the following manner:

- |   |                |
|---|----------------|
| (A) Total no. Of 11kv feeders in WESCO:         | 603 nos.       |
| (B) 11kv feeders where meters installed:        | 547 nos. (91%) |
| (C) Balance feeders remaining for installation: | 56 nos.        |
| (D) Energy Audit already started                | 354 nos.       |

WESCO Utility has proposed to conduct full-fledged Energy Audit from 33kv Feeders downward to consumer level in Cheruapada 33kv Feeder in Sambalpur Electrical Division.

### **SOUTHCO**

SOUTHCO Utility submitted that they have undertaken energy audit in 75 Nos. of 11 KV feeders and remaining feeders to be audited by the end of March, 2016.

From the above status of energy audit it is found that DISCOMs are far away from achieving the target. Therefore, Rs.32.00 cr. Rs.16.00 cr., Rs.18.00 cr. and Rs.32.00 crore are allowed to WESCO, NESCO, SOUTHCO Utilities and CESU respectively towards additional cost of A&G expenses to meet the expenses towards energy audit and loss reduction related activities.

### **9. Performance of DISCOMs**

The Commission monitors the performance of the utilities under various financial & technical parameters, including distribution loss, AT&C loss, collection efficiency, license conditions and performance standards, etc. Interruptions in Distribution System are measured in terms of Reliability Indices. The performance of DISCOMs for FY 2014-15 and approval for 2015-16 & 2016-17 are summarized as follows:-

#### **Proposed and Approved Loss of DISCOM Utilities**

	<b>2014-15 (Actual)</b>	<b>2015-16 Approved</b>	<b>2015-16 Estimated</b>	<b>2016-17 Proposed</b>	<b>2016-17 (Approved)</b>
<b>CESU</b>					
Distribution Loss	33.90%	23.00%	32.80%	31.66%	23.00%
Collection Efficiency	94.30%	99.00%	94.50%	96.50%	99.00%
AT & C Loss	37.67%	23.77%	36.49%	34.05%	23.77%
<b>NESCO Utility</b>					
Distribution Loss	31.10%	18.35%	27.00%	25.00%	18.35%
Collection Efficiency	96.96%	99.00%	95.00%	97.00%	99.00%
AT & C Loss	33.19%	19.17%	30.65%	27.25%	19.17%
<b>WESCO Utility</b>					
Distribution Loss	35.46%	19.60%	33.19%	30.79%	19.60%
Collection Efficiency	95.37%	99.00%	96.00%	98.00%	99.00%
AT & C Loss	38.45%	20.40%	35.86%	32.17%	20.40%
<b>SOUTHCO Utility</b>					
Distribution Loss	39.00%	25.50%	36.08%	35.00%	25.50%
Collection Efficiency	90.75%	99.00%	93.50%	95.50%	99.00%
AT & C Loss	44.64%	26.25%	40.23%	37.92%	26.25%
<b>ODISHA</b>					
Distribution Loss	34.46%	21.35%	32.10%	30.51%	21.35%
Collection Efficiency	94.02%	99.00%	94.85%	96.85%	99.00%
AT & C Loss	38.38%	22.14%	35.59%	32.70%	22.14%

The above table shows that the actual Distribution Loss and AT & C Loss figures are much higher than the approved ones by the Commission for all the years. Similarly, actual collection efficiency figures are much lower than the approved figures of the Commission. All these signify that the DISCOMs are unable to check losses in the system and also improve their collection efficiency to the desired level.

#### 10. Segregation of wheeling and retail supply business

The DISCOMs in their ARR submissions had proposed allocation statement of wheeling and retail supply cost as follows:

##### Allocation of Wheeling and Retail Supply Cost

Sl No.	Cost/Income Component	Ratio for consideration in Wheeling Business	Ratio for consideration in Retail Supply Business
1	Cost of Power	0%	100%
2	Transmission Charges	0%	100%
3	SLDC Charges	0%	100%
	<b>Total power purchase cost *</b>		
	<b>O&amp;M</b>		
4	Employee Cost	60%	40%
5	Repair & Maintenance Cost	90%	10%
6	Administrative & General Expenses	40%	60%
7	Bad & Doubtful Debt including Rebate	0%	100%
8	Depreciation	90%	10%
	<b>Interest on Loans</b>		
9	for Capital loan	90%	10%
10	for Working capital	10%	90%
11	Interest on Security Deposits	0%	100%
12	Return on Equity	90%	10%
	<b>Special Appropriation</b>		
13	Amortization of Regulator Assets	25%	75%
14	True Up of Current year GAP 1/3rd	25%	75%
15	Other, if any-Contingency Reserve	90%	10%
	<b>Grand Total</b>		
	<b>Miscellaneous Receipt</b>		
16	Non-Tariff Income - Wheeling	as per actual assumption	as per actual assumption
17	Non-Tariff Income - Retail Business	as per actual assumption	as per actual assumption

The distribution licensees are yet to segregate the accounts of their licensed business into wheeling and retail supply business as provided in the OERC (Terms and Conditions for Determination of Wheeling Tariff & Retail Supply Tariff) Regulations, 2014. The Commission therefore, based on the above uniform allocation matrix allowed cost towards Retail Supply business and Wheeling business in the following manner.

#### **Wheeling Business**

The apportioned cost towards wheeling business has been considered while determining Aggregate Revenue Requirement and wheeling charges. As regards the Miscellaneous receipts for the wheeling business, receipts on account of wheeling charges from open access consumers, supervision charges and Service line rentals

have only been considered out of the total approved Miscellaneous receipts in this order which is portrayed in the following table:

#### Miscellaneous Receipts - Wheeling Business

(Rs. in cr.)				
Miscellaneous receipts	WESCO	NESCO	SOUTHCO	CESU
a. Wheeling charges from HT consumer	3.45	8.17		
b. Supervision charges	16.92	3.78	0.88	
c. Service line rental				17.20
<b>TOTAL (a+b+c)</b>	<b>20.37</b>	<b>11.95</b>	<b>0.88</b>	<b>17.20</b>

On the basis of the aforesaid Allocation of Wheeling and Retail Supply Cost matrix table, the ARR for wheeling business for WESCO, NESCO, SOUTHCO Utilities and CESU is approved at Rs. 250.58 cr, Rs. 265.35 cr, Rs. 195.02 cr and Rs. 404.32 cr respectively. The wheeling charges (per unit) for WESCO, NESCO, SOUTHCO Utilities and for CESU has been accordingly determined at 57.36 paise/unit, 94.37 p/u, 87.49 p/u and 71.79 p/u respectively.

#### Retail Supply Business

The apportioned cost towards Retail Supply business has been considered while determining Aggregate Revenue Requirement. While considering the Miscellaneous receipts for the retail business, receipts on account of wheeling charges from open access consumers, supervision charges and Service line rentals have been excluded from the total approved Miscellaneous receipts which is shown in the following table:

#### Miscellaneous Receipts - Retail Supply Business

(Rs. in cr.)				
Miscellaneous receipts	WESCO	NESCO	SOUTHCO	CESU
a.Total Misc. receipts approved	105.25	101.07	39.85	127.39
b. Misc. receipts from wheeling business	20.37	11.95	0.88	17.2
Misc. receipts from retail business (a-b)	84.88	89.12	38.97	110.19

On the basis of the aforesaid Allocation of Wheeling and Retail Supply Cost matrix table, the retail supply cost for WESCO, NESCO, SOUTHCO Utilities and for CESU is approved at Rs. 126.06cr, Rs. 87.22 cr, Rs. 89.15 cr and Rs. 165.25 cr respectively for FY 2016-17.

#### 11. Calculation of Average Cost of Supply

With approved revenue for the DISCOMs the average cost of supply for Odisha for FY 2016-17 is as follows:

#### Average Cost of Supply (per Unit) FY 2016-17

Expenditure	(Approved)
Cost of Power Purchase	6,702.94
Transmission Cost	613.50
SLDC Cost	3.81
<b>Total Power Purchase, Transmission &amp; SLDC Cost(A)</b>	<b>7,320.25</b>

<b>Expenditure</b>	<b>(Approved)</b>
Employee costs	980.36
Repair & Maintenance	251.70
Special R & M for Smart Metering	
Administrative and General Expenses	226.73
Provision for Bad & Doubtful Debts	64.76
Depreciation	162.95
Interest Chargeable to Revenue including Interest on S.D	230.00
<b>Sub-Total</b>	<b>1,916.50</b>
Less: Expenses capitalised	
Total Operation & Maintenance and Other Cost	1,916.50
Return on equity	36.00
<b>Total Distribution Cost (B)</b>	<b>1,952.50</b>
Amortisation of Regulatory Asset	-
True up of Past Losses	-
Contingency reserve	-
Total Special Appropriation (C)	-
<b>Total Cost (A+B+C)</b>	<b>9,272.75</b>
Less: Miscellaneous Receipt	373.55
<b>Total Revenue Requirement</b>	<b>8,899.20</b>
Expected Revenue(Full year )	8,915.15
GAP at existing rates (+/-)	15.94
Approved Saleable Units (MU)	19,302.18
<b>Average Cost (paisa per unit)</b>	<b>480.40</b>

## 12. Cross Subsidy:-

The cross-subsidy has been calculated as shown in the following table:

**Cross-Subsidy for FY 2016-17**

Year	Level of Voltage	Average cost of supply for the State as a whole (P/U)	Average Tariff P/U	Cross-Subsidy P/U	Percentage of Cross-subsidy above/below or cost of supply
1	2	3	4	5= (4) – (3)	6= (5 / 3)
2015-16	EHT	488.81	572.03	83.22	17.03%
	HT		575.59	86.78	17.75%
	LT		396.53	-92.28	-18.88%
2016-17	EHT	480.40	572.36	91.96	19.14%
	HT		575.86	95.46	19.87%
	LT		393.36	-87.04	-18.12%

The table shows that the average tariff for HT, EHT and LT categories have been within  $\pm 20\%$  of the cost of supply.

### 13. OHPC Tariff

The station-wise ARR and average tariff calculated for the year 2016-17 is presented in the table below:

#### Station-wise ARR & Average Tariff Approved For 2016-17

(Rs. Cr.)

Details of expenses	RHEP	UKHEP	BHEP	HHEP	CHEP	Sub Total	UIHEP	Total
Saleable Design Energy (MU)	519.75	823.68	1171.17	677.15	485.10	3676.85	1942.38	<b>5619.23</b>
Total ARR	<b>60.333</b>	<b>45.194</b>	<b>106.016</b>	<b>94.820</b>	<b>26.047</b>	<b>332.411</b>	<b>146.373</b>	<b>478.785</b>
Average Tariff (P/U) for 2016-17	<b>116.08</b>	<b>54.87</b>	<b>90.52</b>	<b>140.03</b>	<b>53.70</b>	<b>90.41</b>	<b>75.36</b>	<b>85.20</b>
Average Tariff for the FY 2015-16 (P/U) (Approved)	112.89	52.92	89.51	132.54	48.73	87.16	73.87	82.57

The unit cost of energy from Machhkund is approved at 47.92 paise for 2016-17 as against 34.38 paise/unit approved for 2015-16.

### 14. Transmission Charges- OPTCL:

- 24900MU of energy to be transmitted through OPTCL's network in FY 2016-17 as against 25260 MU in 2015-16.
- Total revenue requirement is approved at Rs. 623.25 crore for FY 2016-17 as against Rs. 630.94 crore for FY 2015-16.
- Transmission charge to use OPTCL's line and sub-stations has been kept constant at 25.00 p/u w.e.f. 01.04.2016.
- The Open Access Charges has been kept constant at Rs.6000 /MW/Day or Rs.250.00/MWh for long-term customers for FY 2016-17.
- Short-term Open Access customers shall continue to pay Rs.1500 /MW/day or Rs.62.50/MWh w.e.f. 01.04.2016.
- The transmission loss has been approved as 3.70% for FY 2016-17.

### 15. BSP-GRIDCO

- The SMD approved for 2016-17 for DISCOMs is 4200 MVA.
- Transmission loss for wheeling of electricity by STU has been calculated at 3.70% for 2016-17.
- Out of the estimated purchase of 25492.87 MU during FY 2016-17, GRIDCO sales 24540 MU to DISCOMs and 10 MU to CGPs. Balance energy of 942.87 MU goes towards Transmission Loss on DISCOMs' purchase.
- **Bulk Supply Price:**

DISCOM-wise Bulk Supply Price as approved by the Commission for the FY 2016-17 is as follows:



Name of the DISCOMs	Bulk Supply Price approved for 2015-16 (P/U)	Bulk Supply Price approved for 2016-17 (P/U)
CESU	285.00	270.00
NESCO	302.00	297.00
WESCO	310.00	296.00
SOUTHCO	200.00	197.00
<b>Total</b>	<b>284.29</b>	<b>273.14</b>

**Comparison of power purchase cost of GRIDCO approved by the Commission in the ARR vrs Actual**

Year	Commission's Approval			Actual		
	Energy MU	Avg. Rate P/U	Total cost Rs. in Cr.	Energy MU	Avg. Rate P/U	Total cost Rs. in Cr.
2015-16 (Provisional)	25776.23	229.97	5927.67	25120.97	233.19	5857.99
2016-17	25492.87	229.44	5849.16			

**16. Renewable Purchase obligation**

- OERC in its order dtd. 30.09.2010 vide Case No. 59/2010 had issued a Regulation fixing the RCPO in the State of Odisha as follows:

Year-wise target	Minimum quantum of purchase in percentage (in terms of energy consumption in the State in KWH)			
	Renewable		Co-generation	Total
	Solar	Non-solar		
2009-10 (Actual)	-	0.80	3.45	4.25
2010-11	-	1.0	3.50	4.5
2011-12	0.10	1.20	3.70	5.0
2012-13	0.15	1.40	3.95	5.5
2013-14	0.20	1.60	4.20	6.0
2014-15	0.25	1.80	4.45	6.5
2015-16	0.30	2.00	4.70	7.0

- Further, the Commission, vide its order dated 18.11.2010, designated OREDA as State Agency for accreditation and recommending the renewable energy projects for registration and to undertake to function under OERC (Renewable and Co-Gen purchase obligation and its Compliance) Regulations, 2010.
- Further, the Commission notified OERC (Procurement of Energy from Renewable Sources and its Compliance) Regulations, 2015 on 1<sup>st</sup> August, 2015. According to the said Regulations, every Obligated Entity shall at least purchase source-wise energy from Renewable sources as indicated in the table below:

**Minimum quantum of electricity to be procured from Renewable Sources  
by Obligated Entity as percentage of total Consumption in KWh**

<b>Year-wise target</b>	<b>Solar Source (%)</b>	<b>Non Solar sources (%)</b>	<b>Total (%)</b>
2015-16	0.50	2.50	3.00
2016-17	1.50	3.00	4.50
2017-18	3.00	4.50	7.50
2018-19	4.50	5.00	9.50
2019-20	5.50	5.50	11.00

However, for FY 2015-16 the above percentage shall be pro-rated depending upon the date on which the present Regulation is published in the official Gazette.

Provided that depending upon the progress of development of Renewable Energy Sources in the State, the Commission may revise the RPO percentage suitably by an order:

In the event of non-availability of above mentioned quantum of power from non-solar renewable sources in a particular year, the procurement of additional solar energy over and above the solar percentage fixed for that year shall be utilized for fulfillment of the total RPO in that year.

Provided in case of Hybrid Sources the Renewable Energy Generated shall be treated as Non-solar irrespective of nature of sources or installed capacity of particular source.

**17. Tariff for Renewable Energy**

- The Commission in its order dated 14.09.2010 in Case No. 37/2008 have approved following levellized generic tariff for various renewable sources applicable for the project to be commissioned during the Control period from the FY 2010-11 to 2012-13.

<b>Particular</b>	<b>Levellised Total Tariff (for the control period 2010-11 to 2012-13) (Rs./kWh)</b>	<b>Benefit of Accelerated Depreciation (if availed) (Rs./kWh)</b>	<b>Net Levellised Tariff (upon adjusting for Accelerated Depreciation benefit) (if availed) (Rs./kWh)</b>	<b>Tariff Period (Years)</b>
Wind Energy	5.31	(0.83)	4.48	13
SHP projects of 5 to 25 MW capacity	3.64	(0.55)	3.09	13
SHP projects below 5 MW capacity	3.91	(0.60)	3.31	35
Solar PV	17.80	(3.03)	14.77	25
Solar Thermal	14.73	(2.41)	12.32	25

The levellized generic tariff for various renewable sources of energy having “Single part tariff with two components” was approved as in the following table:

Particular	Levelling fixed component of Tariff (Rs./kWh)	Variable(Fuel) Component of tariff for FY 2010-11	Effective tariff for FY 2010-11	Benefit of Accelerated depreciation (if availed) (Rs./kWh)	Net Tariff (Rs./kWh)
Biomass	1.95	2.14	4.09	(0.21)	3.88
Non-fossil fuel based co-generation	2.26	2.14	4.40	(0.28)	4.12

- Further, the Commission in its order dated 23.09.2011 in Case No. 151-155/2010 had revised the generic tariff of Bio-mass projects commissioned during the control period of 2010-11 to 2012-13 as given in the table below:

Year	2011-12	2012-13	2013-14	2014-15	2015-16	2016-17	2017-18	2018-19	2019-20	2020-21	2021-22	2022-23	2023-24
Variable tariff	2.92	3.06	3.21	3.37	3.54	3.72	3.91	4.10	4.31	4.52	4.75	4.99	5.24
Levelling fixed Tariff	1.95	1.95	1.95	1.95	1.95	1.95	1.95	1.95	1.95	1.95	1.95	1.95	1.95
Year-wise Tariff	4.87	5.01	5.16	5.32	5.49	5.67	5.86	6.05	6.26	6.47	6.70	6.94	7.19
Benefit of Accel. Deprn	0.21	0.21	0.21	0.21	0.21	0.21	0.21	0.21	0.21	0.21	0.21	0.21	0.21
Year-wise tariff after Accel Deprn.	4.66	4.80	4.95	5.11	5.28	5.46	5.65	5.84	6.05	6.26	6.49	6.73	6.98

- The Commission vide its order dated 20.06.2012 in Case No. 1 of 2012 had re-determined the generic tariff of Solar PV and Solar Thermal Projects commissioned during the FY 2012-13 as given in the table below.

Particular	Levelling Tariff (Rs./kWh)	Benefit of Accelerated Depreciation (Rs./kWh)	Net Levelling Tariff (Benefit of Accelerated Depreciation if availed) (Rs./kWh)	Tariff Period (Years)
Solar PV	13.34	(1.75)	11.59	12
	8.74	-	8.74	13
Solar Thermal	14.81	(1.96)	12.85	12
	10.91	-	10.91	13

- Thereafter, the Commission, vide its Order dated 15.01.2014 passed in Case No 80 of 2013, has determined the generic tariff of Renewable Energy Sources for the Second Control Period i.e. from 2013-14 to 2015-16. However, the Second Control Period for SHEP is five years i.e. from the FY 2013-14 to 2017-18. The generic tariff determined in the said Order is applicable to the Renewable Power Projects to be set up in the State of Odisha during the Second Control Period.
- The summary of the generic tariff for renewable technologies for the second control period are as follows:
  - The levelling generic tariff for various renewable sources of energy having "Single part tariff" is approved as in the following table:

Particular	Levelling Total Tariff (for the 1 <sup>st</sup> year of current control period (Rs./kWh)	Benefit of Accelerated Depreciation (Rs./kWh)	Net Levelling Tariff (upon adjusting for Accelerated Depreciation benefit) (Rs./kWh)	Tariff Period (Years)
Wind Energy	6.24	(0.45)	5.79	13
SHP projects of 5 to 25 MW capacity	4.26	(0.48)	3.78	25
SHP projects below 5 MW capacity	4.89	(0.52)	4.37	25
Solar PV	11.44	(1.12)	10.32	First 12 yrs
	6.78	-	6.78	Next 13 yrs
Solar Thermal	9.52	(1.70)	7.82	First 12 yrs
	5.26	-	5.26	Next13 yrs

(ii) The levellized generic tariff for various renewable sources of energy having “Single part tariff with two components “ is approved as in the following table:

Particular	Levelling fixed component of Tariff (Rs./kWh)	Variable(Fuel ) Component of tariff	Effective tariff	Benefit of Accelerated depreciation (Rs./kWh)	Net Tariff (Rs./kWh)
Biomass	2.13	3.20	5.33	(0.15)	5.18
Non-fossil fuel based co-generation	2.34	2.77	5.11	(0.28)	4.83

- The impact of additional power purchase cost arising out of meeting the RPO obligation shall be factored in to the ARR of GRIDCO each year.
- The Commission shall take into consideration any incentive or subsidy offered by the Government of India/State Govt. including accelerated depreciation benefit if to be availed by the developer for the renewable energy power plants and such benefits shall be passed on to the consumers of the State.

#### 18. Power Purchase from Renewable Sources:

Based on the proposal of GRIDCO and considering the availability, the Commission has approved a purchase of 665 MU from renewable energy sources (both solar and non-solar) for State use during the FY 2016-17. The source-wise power procurement from Renewable sources are indicated in the Table below:

**Estimated Drawal from Renewable Energy Sources during FY 2016-17**

Sl. No.	RE Sources	Energy approved for Procurement during the FY 2016-17 (MU)	Percentage w.r.t. the total estimated drawal of DISCOMs (%)	RPO fixed in the Regulation for the FY 2016-17 (%)
A.	<b>Non-Solar</b>			
(i)	Small Hydro Electric Project (SHEP)	320.00	1.30	
(ii)	Energy from Bio-mass	115.00	0.47	
	<b>Total (Non-Solar)</b>	<b>435.00</b>	<b>1.77</b>	<b>3.00</b>
B.	<b>Total Solar</b>	<b>230.00</b>	<b>0.94</b>	<b>1.50</b>
C.	<b>Total (Solar &amp; Non-Solar)</b>	<b>665.00</b>	<b>2.71</b>	<b>4.50</b>

(\*) Sale of power to DISCOMs including emergency power supply to CGPs has been estimated at 24550 MU.

### 19. SLDC to function as Independent System Operator (ISO)

- Section 31 and 32 of the Electricity Act, 2003 contemplate SLDC as an Independent Apex Body to ensure integrated operation of the power system in the State. The Act also provides for financial independence of SLDC under Section 32 (3) by way of levy and collection of fees and charges from generating companies and the licensees using the Intra-State transmissions network. OERC has formulated the OERC (Fees and Charges of SLDC and other related matters) Regulations, 2010 for implementation of levy of annual fee and charges for SLDC functions in Odisha.
- The Commission vide Order dtd. 21.03.2016 approved ARR of Rs. Rs.829.18 lakh lakh/ annum to be recovered through SOC & MOC as under for 2016-17. The details of ARR & Annual and Monthly Charges for FY 2016-17 for SLDC for collection from different stakeholders approved by the Commission are summarized in Table below:

#### ARR & Annual and Monthly Charges for FY 2016-17

(Rs. Lakh)

Sl. No.	Particulars	Approved for 2016-17	
		Per annum	Per month
1	ARR of SLDC	829.18	69.10
2	Intra-State transmission licensee to pay SOC to SLDC	66.33	5.53
3	Generating Stations & Sellers to pay SOC & MOC to SLDC (Rs. per MW calculated considering generation capacity of 4617.94 MW)	381.42 (Rs.8259.57 per MW)	31.79 (Rs.688.30 per MW)
	Distribution Licensees & Buyers to pay SOC & MOC to SLDC	381.42	31.79
4	(i) CESU	133.20	11.10
	(ii) NESCO Utility	84.71	7.06
	(iii) WESCO Utility	109.58	9.13
	(iv) SOUTHCO Utility	53.93	4.49

### 20. Open Access in Transmission and Distribution:

- OERC has issued OERC (Terms and Conditions for Open Access) Regulations, 2005 on 06.06.2005 for introduction of Open Access to the intra-state transmission and distribution system in Odisha effective from 21.06.2005.
- As per that Regulation, consumers seeking Open Access to the distribution and/or intra-state transmission system can avail supply of electricity exceeding 1 MW from any licensee other than the Distribution Licensee of the respective area of supply w.e.f. 01.04.2008 and from a generating company w.e.f. 01.01.2009.
- The Commission has also issued OERC (Determination of Open Access Charges) Regulation, 2006 on 06.06.2006 which is made effective from 18.07.2006.
- As per this Regulation transmission charges (payable to STU), wheeling charges and cross subsidy surcharges (payable to DISCOMs) are being notified by the Commission for Open Access consumer every financial year w.e.f. FY 2008-09.

## 21. Open Access Charges

The wheeling charge and surcharge as indicated in Table below shall be applicable w.e.f. 11.04.2016 for the year 2016-17.

### Surcharge, Wheeling Charge & Transmission Charge for Open access consumer 1MW & above

Name of the licensee	Cross Subsidy Surcharge (P/U)		Wheeling Charge P/U applicable to HT consumers only	Transmission Charges for Short Term Open access Customer (applicable for HT & EHT consumers)
	EHT	HT		
CESU	143.58	95.58	53.18	Rs. 1500/MW/day or Rs.62.5/MWh
NESCO	126.03	65.82	69.61	Rs. 1500/MW/day or Rs.62.5/MWh
WESCO	126.68	83.45	43.58	Rs. 1500/MW/day or Rs.62.5/MWh
SOUTHCO	191.03	141.02	62.63	Rs. 1500/MW/day or Rs.62.5/MWh

- The normative transmission loss at EHT (3.70%) and normative wheeling loss for HT level (8%) are applicable for the year 2016-17.
- Additional Surcharge: No additional surcharge over and above the Cross-Subsidy Surcharge needs to be given to the embedded licensee.
- No Cross-subsidy surcharge are payable by the consumers availing Renewable power.
- 20% wheeling charge is payable by the consumer drawing power from Renewable source excluding Co-generation & Bio mass power plant.

## 22. Present status of Open Access

- All the STOA applications for inter-State / intra-State Open Access have been processed by SLDC.
- In the year 2015-16, 1316 numbers of applications were received for STOA/ MTOA in Inter State Transmission system. Consent had been accorded for 1210 numbers of applications. The remaining 106 numbers have been rejected/ withdrawn by applicants.
- Similarly, 100 nos. of intra-state STOA are allowed against total 87nos. of applications received.
- No application is pending with SLDC. Generally the status of the applications is conveyed to the applicant within three days by SLDC as per the Regulation.
- Some of the STOA applications have been denied by SLDC for non-compliance of provisions of Regulation and Indian Electricity Grid Code (IEGC) / Odisha Grid Code (OGC).
- There are two nos. of Intra State long term Open Access consumers such as M/s ICCL and NALCO who have been availing Open Access in State Transmission System since OSEB days.

## 6.2 ENGINEERING DIVISION:

### A. Major Activities of Engineering Section (FY 2015-16)

This Division provides vital technical input for grant, revocation, amendment of or exemption from license. It monitors the performance of the utilities [i.e. Bulk Supply (Trading) Licensee, Transmission Licensee and Distribution Licensees] under various technical parameters, including license conditions and performance standards. Interruptions in Distribution System are measured in term of Interruption Reliability Indices (known as SAIFI, SAIDI and MAIFI), for which the Distribution Licensees submit their monthly, quarterly and annual performance reports including the interruption ones in a report every quarter and a consolidated annual report in every financial year. This Division also looks into general complaints of technical nature affecting large areas/industrial/group of consumers.

1. The Annual Guaranteed and Overall Performance report for the year 2014-15 were submitted by the DISCOMs. The consolidated Annual Guaranteed Performance report was published in the OERC website and Overall Performance report was published in daily newspapers on 04.12.2015 and also in the OERC website. The Overall Standards of Performance of DISCOMs, as reported and furnished through affidavit for the year 2014-15 is placed as ANNEXURE-2.
2. OPTCL has inherited from GRIDCO a considerable ageing transmission network. Continuous up-gradation and regular repairs and maintenance are required to keep the network in a safe and operational condition and to meet the growing requirements of DISCOMs' demand as well as to fulfill the Commission's and consumers' expectations on quality of supply, performance standards and availability of transmission network. Keeping this in view, the Commission, over the past several years, has been approving new transmission projects and also allowing a significantly higher amount for R&M expenses for encouraging the Licensees to undertake regular & adequate maintenance. Timely maintenance of equipments can prolong their longevity, reduce downtime and provide quality supply.
3. The Commission has directed OPTCL that DISCOMs are to be intimated well before the completion of any transmission project so that they should be prepared for receiving power from those and accordingly build their downstream distribution lines for evacuation of power. OPTCL should discuss with the DISCOMs before submission of transmission projects for approval of OERC, so that the investment on s/s should be well justified and not be left idle due to non-completion of interlinking transmission/distribution lines. Equity infusion is required to be balanced and the assets so created should be utilized in a productive manner. Further, OPTCL should have a proper, monitoring and execution mechanism in place and regularly monitor the progress of all its on-going projects to avoid in-ordinate delay. Projects should be completed within

the time schedule to avoid cost and time over-run. OPTCL should prioritize the projects in terms of requirements and draw a phase-wise project implantation schedule with specific time-line.

4. OPTCL should identify the low voltage pockets in the State particularly in the border areas and should take steps for strengthening transmission system and downstream distribution systems associated with it. OPTCL should also take steps for annual audit of the store materials.
5. The Commission directed DISCOMs to come up with a plan of measures to reduce distribution loss, increase billing efficiency particularly in LT and also enhance Collection Efficiency in the short run as well as long run.
6. DISCOMs should introduce the proven/tested technology available in the market to reduce human interface to increase revenue. A plan of action of introduction of Technological Intervention and adoption of new technology should be in place focusing on methods of loss reduction and revenue enhancement mechanism.
7. DISCOMs should take appropriate action for acceptance of the technology/concept of Smart Meters by the consumers. Proper communication/awareness programmes should be conducted by the DISCOMs prior to its introduction. The consumer should know that it is only an additional benefit without paying any extra cost. In any case, consumer's confidence on the system is required for its successful implementation.
8. DISCOMs are required to run on commercial principles. The fundamental principle of survival of DISCOMs as commercial entities is to have proper control over the behavior of its consumer, energy input, energy billing, collection, energy pilferage and developmental activities etc. DISCOMs should maintain a detailed profile of consumers and have an automatic system of response through SMS. The consumer indexation with GPS is to be completed on a priority basis for which preparatory work should be completed on computerization of all the consumers at the earliest. The Commission has directed DISCOMs to conduct Energy Audit starting from the 33/11 kV S/S covering up to the consumer down the line.
9. In order to extend quality & reliable power to the consumers of the state, distribution licensees are to comply the following directions:
  - The DISCOMs should complete pole scheduling, consumer indexing, distribution network mapping linking with indexed consumer and also ensure that reliable & correct meters are installed at all points of consumption for the purpose of Energy Audit to identify revenue leakage.
  - Pro-active action for disconnection of such consumers whose bills are not paid continuously (including Govt Connections). Apart from that, initiatives should be taken to install pre-paid meters in all Govt. Offices in accordance with the decision of the Govt. of Odisha.
  - In order to have the capacity building of employees and officers as regards to enhancement of knowledge on evolving technologies and best practices being



used by the other organizations, the licensees should impart training to its personnel to upgrade their skills to cope up with the changing needs.

- Service rules consistent with the Act may be framed keeping in mind the ways to elicit accountability and productivity from the employees.
- In case of smart metering scheme, DISCOMs are directed not to charge cost of meter or meter rent for such consumers who have been provided with smart meter with remote connection and disconnection. A special rebate of 25 paise/unit (including the regular rebate in vogue) shall be provided to the consumers covered under smart metering scheme if they pay their bills within due date for availing the rebate.
- Billing and collection should be computerized upto section level, i.e. billing/collection computer centre should be made available at the section level.
- The sub-stations in the DISCOMs' network should be renovated and it should be technologically upgraded to reach near national standard.
- The Standard of Performance should be verified by a third party on behalf of licensee itself.
- All utilities should initiate actions for self evaluation of practices and procedures through rating agencies.
- Completion of computerization of metering, billing, collection system in their respective areas.
- The DISCOMs should ensure that the Standard of Performance in the OERC (Licensees' Standard of Performance) Regulation, 2004 are displayed prominently at all section offices and bill collection counters.
- The DISCOMs should establish centralised customer care centres at urban and suburban areas also.
- The DISCOM should fulfil their obligation of energy conservation and DSM activities under OERC (DSM) Regulation, 2011.

The Commission expects that with continuous monitoring, the system will revive and continue to give good service to the consumers.

10. The Engineering. Division took up the following other activities during the FY 2015-16:

a) **Publication of Odisha Grid Code (OGC) Regulations, 2015**

The Commission has framed new Odisha Grid Code (OGC) Regulation, 2015 after prepublication under Section 181(3) of the Act, which came into force with effect from 21.12.2015.

b) **Amendment to OERC Distribution (Conditions of Supply) Code,2004**

The Commission has amended OERC Distribution (Conditions of Supply) Code, 2004 after prepublication under section 181(3) of the Act, which came into force with effect from 21.01.2016.

c) **Publication of System Performance during FY 2014-15 of OPTCL**

The annual system performance of OPTCL for the year 2014-15 was submitted by OPTCL on 13.08.2015 and subsequently the supporting data. The consolidated statement of system performance was examined and approved along with the observations by OERC on 28.09.2015 for publication. The summary findings of Transmission and Bulk Supply Performance as submitted by OPTCL are as below:

- i) The annual peak demand of OPTCL was 3981 MW during 2014-15 as compared to 3705 MW during 2013-14.
- ii) GRIDCO had drawn 17595.171 MU from the State sector and 7907.641 MU from the Central sector and 190.931 MU as net banking and IEX power import during 2014-15, whereas it had drawn 17524.92 MU, 7537.977 MU and 128.759 MU respectively from the State, Central sector and banking power during 2013-14.
- iii) During this period, OPTCL made addition of 210 Ckt km of 400 kV lines and 169.196 Ckt km of 132 kV lines. As on 01.04.2015, OPTCL is having total 728.234 ckt. km of 400 KV lines, 5730.334 ckt. km of 220 KV lines and 5625.107 ckt km of 132 KV lines. There was capacity addition of 5 nos. of 132/33 KV S/s.
- iv) During 2014-15, 165 hours of load restriction was clamped on rotation basis to curtail demand due to non-availability of generation/failure of generating stations and no restriction was clamped due to non-availability of transmission capacity. Also, there was no rescheduling of generation on account of non-availability of transmission capacity.

d) **Other important tasks carried out by the Engineering Division during 2015-16 include:**

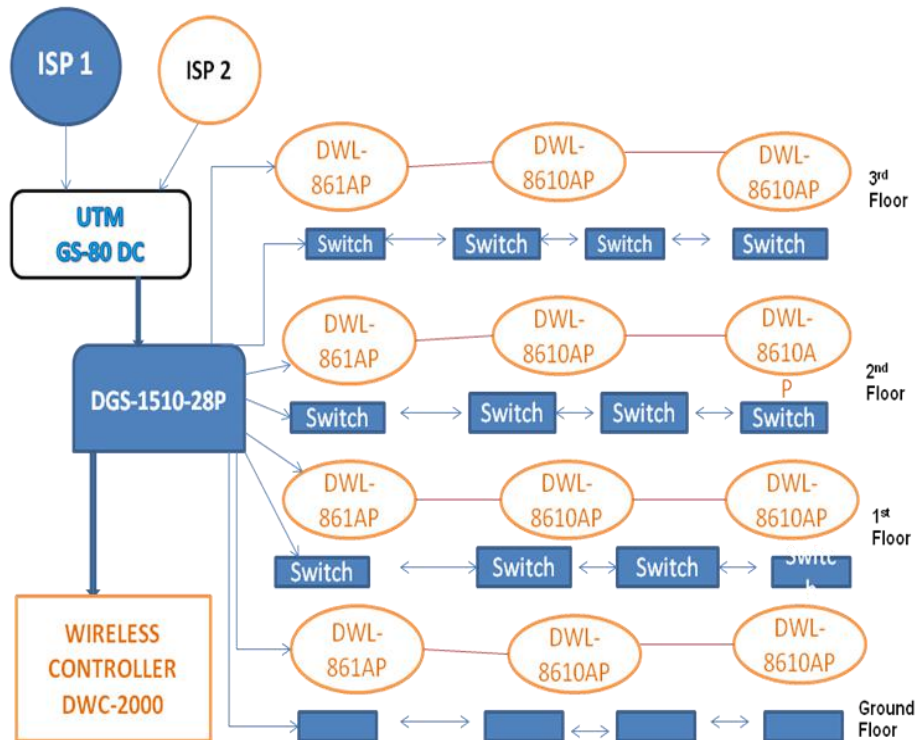
- i. Annual System Performance of OPTCL.
- ii. Long Term Demand Forecast and Transmission Plan for the State of Odisha.
- iii. Finalization of Intrastate Transmission plan.
- iv. Publication of Odisha Grid Code, 2015.
- v. Amendment of OERC (Conditions of Supply) Code, 2004.
- vi. Order on net metering/ bi-directional metering and their connectivity with respect to roof top solar PV projects.
- vii. CEA, CERC, FOR, Assembly Questions, Parliament Questions.
- viii. General Consumer Complaints.
- ix. Monitoring of License Fees.
- x. Technical visit to licensee area, S/S and Electrical Installations.
- xi. Energy Conservation and DSM.
- xii. Renewable Energy Certificate Mechanism
- xiii. Investment approval of the licensees.
- xiv. Inspection of GRF, Consumer Interface and Workshop in distribution licensees on various issues.

## B. Major Activities of IT section (FY 2015-16)

### 1. Design and Implementation of a Network and Wi-fi System in OERC's New Building

OERC has implemented wired as well as wireless network solution in its new office building at Chandrasekharpur, Bhubaneswar. The new office building has four floors. Though the wired and wireless networks are physically separate, the network solution is envisaged as a unified, secured and centrally managed one. The schematic diagram for the network solution is presented below for reference.

#### SCHEMATIC DIAGRAM OF NETWORK SOLUTION AT OERC OFFICE BUILDING



The aforesaid diagram along with the various network components are explained in details in the next four paragraphs. More than one ISP's (Internet Service Provider) connectivity of suitable bandwidth along with router over Ethernet shall be provided by OERC.

- i) UTM Appliance : For proper bandwidth management and access control (i.e site blocking/ content filtering/ download quota management etc.), suitable UTM (Unified Threat Management) appliance has been provided. The UTM appliance shall also support internet load balancing and WAN failover ( i.e. when one ISP fails, the other ISPs shall automatically take over the load without the users experiencing any difficulty in internet connectivity).
- ii) Wired Network : The UTM appliance is connected to a Gigabit Ethernet Managed Switch for providing the wired network. From the managed switch, 3-4 switches (inside a Rack) in each of the four floors will get connected. Each of the

last level 24 port switches shall provide connectivity to computers in 7-8 rooms of every floor using CAT-6 cable.

iii) Wireless Network : For wireless network , the UTM appliance is connected to Gigabit PoE Switch which in turn will be linked to a Wireless Controller. The Wireless Controller takes care of the auto channel adjustment and RF power adjustment so that users will experience optimum performance. Each floor in the office building shall have 3-4 wireless access points which shall be connected to the Wireless Controller using CAT-6 cable. Considering the sensitivity of the last mile device, the wireless access points (APs) are able to form an independent RF beam so that users will get the best throughput.

iv) This network architecture manages all APs with the wireless controller. It authenticates users centrally through wireless controller. The solution will identify the user from his/her MAC Id of the device and accordingly, place in the respective group. Security/Access Policy of that group will be applicable to the user automatically.

## **2. Implementation of a 25 KWp Grid Interactive Solar PV Power plant in OERC's New Building**

OERC has implemented one 25 KWp grid interactive Solar PV Power plant on the roof top of OERC Office Building at Sailashree Vihar, Bhubaneswar. The plant was designed and commissioned by M/s Sova Power Ltd, Kolkata. The maintenance of the plant will be done by the same party for 5 years.

Arrangements have been put in place to upload the solar data onto the cloud of the service provider and the analytical reports can be viewed on the website of the service provider. The reports are used to verify the generation, export / import and detect any anomaly in the system.

## **3. Procurement of IT Equipments and Services**

- (a) Two Samsung LED monitors were procured for Rs.14,258/-.
- (b) Quick Heal Total Internet Security software (45 Users) were purchased for Rs.22,208/- and were installed in the existing computers.
- (c) The contract for Leasing of 100 GB web space and hosting existing portal of OERC ([www.oriarc.org](http://www.oriarc.org)) along with mission-critical applications on Oracle was renewed for a period of one year with the existing terms and conditions including the same financial provision of Rs.1,98,540/- (inclusive of all charges and taxes).

## **4. Advising Commission & Utilities on IT Projects**

IT section advised the Commission and also the utilities in the matters of information and communication technologies especially in Smart Grid and Enterprise Resource Planning (ERP).

## **5. Maintaining Monthly Data of DISCOMs (Financial & Technical) in Oracle**

The month-wise data received from each DISCOM were maintained in the Oracle Database for security and retrieval as and when required by the Commission. These

data relate to important financial, commercial and technical requirements reflecting number of consumers, billing, purchase, loss, arrear, metering of feeders, DTRs, interruption and length of new conductors added etc.

#### **6. Analysis of Energy Audit and Dump Data of DISCOMs**

It provided MIS reports on poor bill distribution/EC collection and high distribution loss of DISCOMs. The analysis of dump data especially the tampering events over a period of time pointed to a pattern of malpractices by some high-value consumers warranting action by the concerned DISCOM.

#### **7. Entry/Updation/Maintenance of Data in Case Tracking System**

IT section made the entry / updation of details related to the cases including the orders on regular basis. The uploading of the data maintained in the local server was effected every day to our website making the data about the cases available to the public. MIS reports for pending cases, final cases and cases whose hearing are concluded and order reserved were provided to RA (Regulatory Affairs) division for taking necessary action at their end.

#### **8. Entry/Updation/Maintenance of Data in Web-based GRF System**

The web-based System on GRF Orders gets the case orders in soft form from 12 GRFs across Odisha every week and these are processed, formatted and entered into the system for enabling the users to view /query the orders on the basis of various parameters like category of complaint, regulation & clause involved, divisions, period etc. Presently, all the orders from January, 2014 are available on the website of OERC i.e. [www.orierc.org](http://www.orierc.org).

This system provides useful and detailed information about the cases which have been disposed off by twelve nos. of GRFs in Odisha.

#### **9. Maintenance of Database, Hardware and Software**

a) Maintenance of Database entailed the following activities

- Cesu Billing System data transfer from DBF to text
- Converting Data to Oracle format
- Exporting data from Local Server
- Importing & configuring Data in Web Server
- ✓ Regular backup of
  - CBIS (Cesu Billing Information System)
  - RIMS (Regulatory Information Management System)
  - Savior System (Attendance Recording System)
  - CTS (Case Tracking System)
  - GRF Orders System

b) Hardware Maintenance involved the following activities

- Solving Computer Booting/Shutdown/Hang problems
- Resolving Network problems

- Fixing of Printer and Monitor related problems
- Maintenance of Oracle Server, Internet Server, Switch, HUB, Modem, Mail Server etc.

c) Software Maintenance entailed the following activities

- Installation of software including Operating System and Application software
- Up-gradation of software including anti-virus

#### 10. Managing OERC Pension Fund Trusts

The Group Superannuation Cash Accumulation (GSCA) Plan and Group Leave Encashment Scheme (GLES) of the LIC of India have been adopted by OERC for its employees. As per the actuarial estimation made by LIC towards superannuation of employees of OERC, a sum of Rs.57.19 lac was transferred to GSCA fund of LIC on 22-03-2016. The balance of that fund at the end of the FY 2015-16 stood at Rs.6.80 crore. Moreover, the GLES fund, at the end of FY 2015-16, has a balance of Rs.90 lac.

### 6.3 REGULATORY AFFAIRS DIVISION

The Regulatory Affairs Division deals with all legal matters pertaining to the functions of the Commission. It also scrutinizes applications / replies/objections filed before the Commission, rendering necessary legal advice on various matters. The Division engages Advocates for representing the Commission in various Courts, Fora and Tribunals including liaising with legal counsels. Drafting and vetting of Regulations, Tariff Orders, practice directions, notifications; maintaining relevant legal information, participating in Commission's proceedings are the prime functions of this Division.

#### 1. **Case matters before the High Court/Supreme Court/ATE (During FY 2015-16)**

During the year 2015-16 the Commission had received notices in 17 no. of cases from the Hon'ble High Court of Odisha, Cuttack. The Commission also received notices in 10 no. of appeals from the Appellate Tribunal for Electricity (ATE), New Delhi and received notices in 3 no. of Civil Appeals from the Hon'ble Supreme Court of India, & also the Commission has filed Caveat Petitions 2 nos. before the Hon'ble ATE apprehending stay of operation of its order passed in Case No.53 of 2015 (Generation Tariff for FY 2016-17 of OPGC and before the Hon'ble High Court of Odisha under S.148A of the Civil Procedure Code,1908 apprehending stay of operation of its Retail Supply Tariff Orders for FY 2016-17.

The Commission had engaged Shri Rutwik Panda, Advocate- on- Record and Shri P. Ramesh Bhatt, Sr. Advocate, Sri Prasanto Sen, Advocate and Shri G.Umapathy, Sr. Advocate and Sri Sekhar Naphede, Sr. Counsel in Supreme Court of India/ Appellate Tribunal for Electricity, New Delhi as its Legal Counsels and Shri Biswojit Mohapatra, Advocate as its Legal Counsel to represent the cases on behalf of the Commission before the Hon'ble High Court of Odisha.

#### 2. **Status of Regulations Framed under Electricity Act, 2003 by OERC**

Consequent upon implementation of the Electricity Act, 2003, the OERC has framed a number of Regulations which are shown in the Table below:

Sl No.	Name of the Regulations	Odisha Notification Date	Published in Odisha Gazette No. and Date
1.	OERC (Conditions of Supply) Code, 2004.	21 <sup>st</sup> May, 2004	28 <sup>th</sup> May, 2004
2.	OERC (Licensees Standards of Performance) Regulations, 2004.	21 <sup>st</sup> May, 2004	28 <sup>th</sup> May, 2004
3.	OERC (Grievances Redressal Forum and Ombudsman) Regulations, 2004.	5 <sup>th</sup> April, 2004	17 <sup>th</sup> May, 2004
4.	OERC (Terms and Conditions for Determination of Tariff) Regulations, 2004.	9 <sup>th</sup> June, 2004	10 <sup>th</sup> June, 2004
5.	OERC (Procedure for filing appeal before the Appellate Authority) Regulations, 2004.	21 <sup>st</sup> May, 2004	28 <sup>th</sup> May, 2004
6.	OERC (State Advisory Committee) Regulations, 2004.	21 <sup>st</sup> May, 2004	28 <sup>th</sup> May, 2004
7.	OERC (Conduct of Business) Regulations, 2004.	21 <sup>st</sup> May, 2004	28 <sup>th</sup> May, 2004
8.	OERC (Terms and Conditions for Open Access) Regulations, 2005.	6 <sup>th</sup> June, 2005	21 <sup>st</sup> June, 2005
9.	OERC (Determination of Open Access Charges) Regulations, 2006	6 <sup>th</sup> June, 2006	18 <sup>th</sup> July, 2006
10.	Odisha Grid Code Regulation, 2006	-	14 <sup>th</sup> June, 2006
11.	OERC (Intra-State ABT) Regulations, 2007	17 <sup>th</sup> Dec., 2007	14 <sup>th</sup> Feb., 2008
12.	OERC(Fees and Charges of State Load Despatch Centre and other related matters) Regulation, 2010	6 <sup>th</sup> June, 2010	18 <sup>th</sup> November, 2010
13.	OERC (Renewable and Co-generation Purchase Obligation and its Compliance) Regulation, 2010	30 <sup>th</sup> Sept., 2010	14 <sup>th</sup> Dec., 2010
14.	OERC (Demand Side Management) Regulation, 2011	20 <sup>th</sup> August, 2011	16 <sup>th</sup> Nov., 2011
15.	OERC (Terms and Conditions for Determination of Wheeling Tariff and Retail Supply Tariff) Regulations, 2014	14 <sup>th</sup> Nov,2014	20 <sup>th</sup> Dec,2014
16.	OERC (Terms and Conditions for Determination of Generation Tariff) Regulations, 2013	8 <sup>th</sup> Sept,2014	10 <sup>th</sup> Oct,2014
17.	OERC (Terms and Conditions for Determination of Transmission Tariff) Regulations, 2014	21 <sup>st</sup> Oct,2014	4 <sup>th</sup> Dec.2014
18.	OERC (Procurement of Energy from Renewable Sources and its Compliance) Regulations, 2015	1 <sup>st</sup> Aug. 2015	10 <sup>th</sup> Sep., 2015
19.	Odisha Grid Code (OGC) Regulations, 2015	11 <sup>th</sup> Aug., 2015	21 <sup>st</sup> Dec., 2015

The above Regulations are available in the commission's website: [www.orierc.org](http://www.orierc.org).

### 3. Amendment of Regulation

- i. The Commission has framed draft OERC (Procurement of Energy from Renewable Sources and its Compliance) Regulations, 2015 which was pre-

published u/S. 181 (3) of the Electricity Act, 2003 vide Public Notice dated 06.12.2014. According to the said public notice Commission received objection/suggestions from the general public/stakeholders/licensees which were taken into consideration. After finalization of the above draft Regulations, the same was published in the Odisha Gazette vide Notification dated 10.09.2015.

- ii. The Commission have framed draft Odisha Grid Code (OGC),2015 which was pre-published u/S. 181 (3) of the Electricity Act, 2003 vide Public Notice dated 13.02.2014. In response to the public notice, Commission received objections/suggestions from the general public/stakeholders /licensees which were taken into consideration. After finalization of the above draft Regulations, the same was published in the Odisha Gazette vide Notification dated 21.12.2015.

#### 4. **Proceedings before the Commission**

The Regulatory Affairs Division examined and scrutinized petitions/ replies/ objections filed before the Commission.

The Division advised and rendered legal opinion on matters referred to it by the Engineering, Tariff, Secretarial and Administrative Divisions.

77 no. of Cases were registered and 97 no. of Cases were disposed of by the OERC during the period from **01.04.2015 to 31.03.2016**.

#### **Important Orders passed by the Commission during 1<sup>st</sup> April, 2015 to 31<sup>st</sup> March, 2016.**

Sl. No.	CASE No.	Date of Final Order	PETITIONER	SUBJECT
1	04/2015	17/APR/2015	OPTCL	Truing up exercise in compliance with Reg.7 of the OERC (Terms and Conditions for Determination of Transmission Tariff) Regulations, 2014 for consideration of the shortfall amount of Rs.173.58 Cr for FY 2013-14 while disposing of the ARR and Determination of Transmission Tariff for FY 2015-16
2	07/2015	17/APR/2015	NESCO	An application for seeking approval of the Commission for implementation of Domestic Efficient Lighting Program (DELP) for LED bulbs under Demand Side Management Programme with capital investment of RS. 19.17 Cr. in its supply area.
3	13/2002	27/APR/2015	GRIDCO	An Application under S.21(4) of the OER Act,1995 read with Regulation 110 of the OERC ( Conduct of Business) Regulation, 1996 for approval of PPA executed between GRIDCO & OPGC for purchase of power from Unit-I & II of Ib TPS of OPGC.
4	82/2012	02/MAY/2015	RELIANCE MANAGEMENT DISCOMS	For levy of Grid support charges (GSC) fro the CGPs
5	83/2012	02/MAY/2015	VENDANTA ALUMINIUM LTD.	Review of order dated 01.10.2012 passed in case no 46 of 2012.
6	39/2014	11/MAY/2015	OPTCL	Approval of Business Plan of OPTCL for 3rd control period FY 2013-14 to FY 2017-18
7	30/2013	12/MAY/2015	CONFEDERATION OF C.P.P,ODISHA	U/s 142 of the Electricity Act-2003



Sl. No.	CASE No.	Date of Final Order	PETITIONER	SUBJECT
8	38/2014	22/MAY/2015	RELIANCE MANAGEMENT DISCOMS	Implementation of order dt.29.03.2012 and 30.03.2012 in Case No. 107 of 2011
9	55/2014	22/MAY/2015	DINABANDHU JENA	U/s 142 of Electricity Act, 2003
10	91/2013	03/JUN/2015	OCL IRON & STEEL LTD.	U/s 86(1)(f) of EA-2003 relating to non payment of the amount towards supply of surplus power from CGP
11	77/2014	04/JUN/2015	OPTCL	An application u/S. 94 (1) (f) of the Electricity Act, 2003 read with Regulation 70 (1) of the OERC (Conduct of Business) Regulations, 2004 for review of Order dated 04.06.2014 passed in Case No. 79/2012
12	108/2010	09/JUN/2015	ARATI STEELS LTD.	For review of order dtd.04.05.2010 passed in Case No.28 & 29 of 2010
13	107/2010	09/JUN/2015	ARATI STEELS LTD.	For determination of final tariff in view of and Order dtd.04.05.2010 passed in Case No.28 & 29 of 2010
14	58/2014	09/JUN/2015	CHANDRA SEKHAR SAHU	U/s 142 of Electricity Act, 2003
15	28/2010	09/JUN/2015	GRIDCO	U/S 86 of the EA-2003 read with S.21 of the OER Act,1995 & other enabling provisions seeking approval of PPA
16	29/2010	09/JUN/2015	GRIDCO	For procurement of power from the proposed 50MW thermal power plant at Ghantikhal, Cuttack
17	73/2014	17/JUN/2015	RELIANCE MANAGEMENT DISCOMS	Application U/s 86 of EA, 2003
18	30/2010	17/JUN/2015	GRIDCO	For determination of provisional tariff for procurement of power from proposed 60 MW Thermal power plant , Rengali being setup by M/s Shyam DRI power Ltd
19	70/2013	27/JUN/2015	CESU	U/s 86(1)(f) of Electricity Act 2003
20	69/2013	27/JUN/2015	CESU	U/s 86(1)(f) of Electricity Act 2003
21	120/2009	02/JUL/2015	C.M.D GRIDCO	For setting approval of the PPA dt.28.09.06 and Amendment PPA dt.14.09.09 executed between M/s VISA Power Ltd. and GRIDCO
22	20/2009	02/JUL/2015	GRIDCO	Sale of Surplus Power from CGP
23	18/2009	02/JUL/2015	GRIDCO	Sale of Surplus Power from CGP
24	16/2009	02/JUL/2015	GRIDCO	Sale of Surplus Power from CGP
25	14/2009	02/JUL/2015	GRIDCO	Sale of Surplus Power from CGP
26	12/2009	02/JUL/2015	GRIDCO	Sale of Surplus Power from CGP
27	10/2009	02/JUL/2015	GRIDCO	Sale of Surplus Power from CGP
28	79/2014	02/JUL/2015	SASWATI GRANITE PRODUCTS	U/s 142 of Electricity Act, 2003
29	06/2009	02/JUL/2015	GRIDCO	Sale of Surplus Power from CGP
30	07/2009	02/JUL/2015	GRIDCO	Sale of Surplus Power from CGP
31	08/2009	02/JUL/2015	GRIDCO	Sale of Surplus Power from CGP
32	09/2009	02/JUL/2015	GRIDCO	Sale of Surplus Power from CGP
33	11/2009	02/JUL/2015	GRIDCO	Sale of Surplus Power from CGP

Sl. No.	CASE No.	Date of Final Order	PETITIONER	SUBJECT
34	13/2009	02/JUL/2015	GRIDCO	Sale of Surplus Power from CGP
35	15/2009	02/JUL/2015	GRIDCO	Sale of Surplus Power from CGP
36	17/2009	02/JUL/2015	GRIDCO	Sale of Surplus Power from CGP
37	19/2009	02/JUL/2015	GRIDCO	Sale of Surplus Power from CGP
38	118/2009	02/JUL/2015	C.M.D GRIDCO	For seeking approval of the Commission to PPA dt.28.09.06 and the Amendment PPA dt.10.09.09 executed between M/s Mahanadhi Aban Power Co. Ltd. and GRIDCO
39	116/2009	02/JUL/2015	C.M.D GRIDCO	For seeking approval of the Commission to PPA dated 28.09.2006 and the Amendment PPA dt.15.09.09 executed between M/s CESC and GRIDCO
40	54/2011	04/JUL/2015	BHUSAN POWER & STEEL LTD.	U/s 86(1)(f) of the Electricity Act 2003
41	75/2014	04/JUL/2015	GRIDCO	An application u/S. 86 of the EA,2003 read with S.21 of the OER Act,1995 & other enabling provisions for seeking approval of the PPA executed between GRIDCO and Avantika Power Projects Pvt.Ltd.for procurement of power from its 18MW Small Hydro Project on river Jamhori in Koraput district of Odisha.
42	09/2014	15/JUL/2015	NALCO	For review and amendment of the order dtd. 21.11.2013 of the in Case No. 21 of 2013
43	29/2014	21/JUL/2015	PROTECTION MANUFACTURE RS PVT. LTD	U/s 142 of Electricity Act, 2003
44	80/2014	22/JUL/2015	ASHOK KUMAR AGRAWALA	U/s 142 of Electricity Act, 2003
45	27/2014	22/JUL/2015	PRAFULLA CH. DAS	U/s 142 of Electricity Act, 2003
46	19/2015	31/JUL/2015	OHPC	Aggregate revenue requirement and Generation Tariff for FY 2015-16
47	01/2015	31/JUL/2015	RADHESYAM SAHU	An application under Section. 142 of the EA, 2003 for non-compliance of Order dtd 30.12.2008 passed in AFO Case No.01 of 2008 of the Deputy Electrical Inspector (T&D), Sambalpur and Order dtd 03.03.2009 of the Hon'ble HC of Odisha passed in W.P. ( C ) No.1957 of 2009
48	06/2015	04/AUG/2015	SANTANU KUMAR PARIDA	U/S 142 of the EA,2003 for non-compliance of Order dated 16.12.2014 of the GRF, Balasore passed in C.C. Case No. 253/2014
49	59/2014	07/AUG/2015	OREDA	U/s 142 of EA, 2003 for Non-compliance of the OERC ( RCPO & its Compliance) Regulations, 2010
50	41/2014	11/AUG/2015	CESU	U/s 142 of Electricity Act, 2003
51	54/2014	11/AUG/2015	GREEN ENERGY ASSOCIATION	Application U/s.142 of Electricity Act, 2003
52	81/2014	22/AUG/2015	SANJAY KUMAR TRIPATHY	U/s 142 of Electricity Act, 2003
53	33/2014	25/AUG/2015	BHAGABATI STONE PRODUCTS	U/s 142 of Electricity Act, 2003

Sl. No.	CASE No.	Date of Final Order	PETITIONER	SUBJECT
54	02/2015	02/SEP/2015	SHALIVAHNA GREEN ENERGY LTD.	An application u/s 86 (1) (f) of the EA, 2003 seeking direction of the Commission to OPTCL Ltd. to reimburse the expenditure incurred towards construction of the Tie Line and extension of 132 KV bays in the Hind Metal Switching Station of OPTCL.
55	17/2015	02/SEP/2015	ASHOK KUMAR DAS	An application under S.142 of the Electricity Act, 2003 for non-compliance of Order dated 25.04.2015 of the GRF, Berhampur passed in C.C.Case No.437 of 2014.
56	36/2014	26/SEP/2015	OPTCL	Approval of investment proposal of Rs.235.34 Cr. for Cyclone Resilient Transmission System in Berhampur and Chhatrapur
57	46/2010	26/SEP/2015	SARAT CHANDRA PADHI	U/s 142 of the Electricity Act, 2003
58	03/2015	07/OCT/2015	WESCO,NESCO, SOUTHCO UTILITY	U/s S.86 of EA, 2003 seeking direction of the commission to GRIDCO for release of Assets of the Distribution Utilities for hypothecation to REC towards availing counterpart funding loan to execute CAPEX Scheme for submission of Order dt. 29.03.12 of the OERC passed in Case No. 107/2011
59	16/2015	14/OCT/2015	SHALIVAHNA GREEN ENERGY LTD.	U/s S.94 (f) of the EA, 2003 for review of order dtd 15.01.2014 passed in C.No. 80 of 2013
60	51/2014	14/OCT/2015	RAMAKANTA PAL	U/s 142 of Electricity Act, 2003
61	74/2014	16/OCT/2015	GRIDCO	An application u/S. 86 of the EA, 2003 read with S.21 of the OER Act,1995 & other enabling provisions for seeking approval of the PPAs executed between GRIDCO and M/s. Baitarani Power Project Pvt. Ltd. for procurement of power from its 24 MW Small Hydro Project in Keonjhar district of Odisha.
62	55/2011	28/OCT/2015	VENDANTA ALUMINIUM LTD.	U/s 86(1)(f) of the Electricity Act 2003
63	42/2014	12/NOV/2015	CESU	U/s 142 of Electricity Act, 2003
64	23/2015	12/NOV/2015	SONTHALIA RICE MILL	U/s 142 of EA, 2003 for non implementation of order dt. 13.11.2013 of the OERC passed in Case No. 35/2013.
65	20/2014	12/NOV/2015	HOTEL SMITA	U/s 142 of Electricity Act, 2003
66	78/2014	26/NOV/2015	GRIDCO	U/s 86 of Electricity Act, 2003
67	29/2015	08/DEC/2015	JINDAL STEEL & POWER LTD	An application under S.86 (1) (f) of the Electricity Act, 2003 read with Regulation 1.13 of the Odisha Grid Code OGC) Regulations, 2006 between the petitioner and SLDC.
68	35/2015	08/DEC/2015	BIMALA RICE MILL	An application under S.142 of the Electricity Act, 2003 for non-compliance of Order dated 12.05.2015 of the OERC passed in Case No. 30 of 2013.
69	04/2014	29/DEC/2015	NALCO	U/s 86(1) of Electricity Act, 2003
70	26/2015	29/DEC/2015	SMC POWER GENERATION LTD.	An application under S.142 of EA, 2003 for non-implementation of order dated 12.05.2015 of the OERC passed in Case No. 30/2013

Sl. No.	CASE No.	Date of Final Order	PETITIONER	SUBJECT
71	30/2015	01/JAN/2016	TATA SPONGE IRON LTD	An application under S.142 of the Electricity Act, 2003 for non-compliance of Order dated 12.05.2015 of the OERC passed in Case No. 30 of 2013.
72	34/2015	01/JAN/2016	VEDANTA LIMITED	An application under Ss.42(2) and 86 (1) (f) of the Electricity Act,2003 read with Regulation 9(1) of the OERC (Conduct of Business) Regulations,2004 for adjudication of dispute between GRIDCO Ltd., WESCO Utility
73	25/2015	01/JAN/2016	JINDAL STEEL & POWER LTD	An application under S.142 of the Electricity Act, 2003 for non-compliance of Order dated 12.05.2015 of the OERC passed in Case No. 30 of 2013.
74	27/2015	01/JAN/2016	JINDAL STAINLESS LTD.	An application under S.142 of the Electricity Act, 2003 for non-compliance of Order dated 12.05.2015 of the OERC passed in Case No. 30 of 2013.
75	24/2015	18/JAN/2016	WESCO	An application for approval of special Tripartite Agreement executed between M/s. RSP Ltd., M/s.Linde India Ltd. and the WESCO Utility under Regulation 81 of the OERC Distribution (Conditions of Supply) Code,2004.
76	110/2012	18/JAN/2016	OMFED	U/s 142 & 146 of Electricity Act,2003
77	18/2015	21/JAN/2016	KRISHNA ICE FACTORY	An application under S.142 of the Electricity Act, 2003 for non-compliance of Order dated 01.12.2014 of the Appellate Authority-cum- Electrical Inspector (T&D), Balasore passed in Case No. AAC 03 of 2012-13.
78	28/2015	27/JAN/2016	JINDAL STAINLESS LTD.	Open Access Charges
79	21/2015	27/JAN/2016	VEDANTA LIMITED	U/s 42 & 86 of Electricity Act,2003
80	44/2014	29/JAN/2016	CESU	Claim for Cross-Subsidy Surcharge
81	43/2014	29/JAN/2016	CESU	Claim of Cross-Subsidy Surcharges
82	82/2014	29/JAN/2016	ESSEL BHUBANESWAR MSW LIMITED	An application u/S. 61 (h), 62 (1), 64 & 86 (1) (e) of the EA, 2003 for sale of power to the distribution utility/GRIDCO in the State of Odisha from its 11.5 MW MSW based power project of M/s Essel Bhubaneswar MSW Limited at Bhuasuni, Bhubaneswar.
83	22/2015	29/JAN/2016	ESSEL BHUBANESWAR MSW LIMITED	An application under S.142 of the Electricity Act, 2003 for non-compliance of Interim Order dated 09.04.2015 of the Commission passed in Case No. 82 of 2014.
84	05/2015	04/FEB/2016	BHUSAN POWER & STEEL LTD.	U/S 86 (1)(f) of the EA,2003 read with Reg. 8, 9 & 10 of the OERC (Conduct of Business) Reg,2004 seeking direction of the Commission to GRIDCO for payment of the withheld amount of Rs.4,72,70,509/- from the monthly energy bills of Aug,2013 to Mar,2014 along with DPS and interest thereon.
85	15/2015	04/FEB/2016	ODISHA POWER CONSORTIUM LTD	U/s 86(1)(f) of the Electricity Act, 2003
86	42/2015	04/FEB/2016	PARADEEP PHOSPHATES LTD.	An application under S.94 (1) (f) of the EA, 2003 read with Reg. 70 (1) of the OERC (Conduct of Business) Regulations, 2004 for review of Order dated 07.08.2015 of the Commission passed in Case No. 59/2014.

Sl. No.	CASE No.	Date of Final Order	PETITIONER	SUBJECT
87	67/2015	25/FEB/2016	SARAN KUMAR BEHERA	An application under S.142 of the EA, 2003 for non-compliance of order dated 28.06.2015 of Ombudsman-I, Bhubaneswar passed in C.R. Case No. 30 of 2015.
88	55/2015	21/MAR/2016	OPTCL	Aggregate Revenue Requirement and determination of Transmission Tariff for the FY 2016-17
89	53/2015	21/MAR/2016	ODISHA POWER GENERATION CORPORATION	Annual Revenue Requirement and Determination of generation Tariff for the FY 2016-17
90	57/2015	21/MAR/2016	NESCO	Aggregate Revenue Requirement and Determination of Retail Supply Tariff for the FY 2016-17
91	56/2015	21/MAR/2016	SLDC	Annual Revenue Requirement and Fees & Charges for SLDC Functions for FY 2016-17
92	10/2015	21/MAR/2016	GOVERNMENT OF ODISHA	Review of RST order for FY-2015-16 dtd. 23.03.2015
93	60/2015	21/MAR/2016	CESU	Aggregate Revenue Requirement and Determination of Retail Supply Tariff for the FY 2016-17
94	52/2015	21/MAR/2016	OHPC	Annual Revenue Requirement and Determination of generation Tariff for the FY 2016-17
95	54/2015	21/MAR/2016	GRIDCO	Aggregate Revenue Requirement and determination of Bulk Supply Price for the year FY 2016-17
96	59/2015	21/MAR/2016	SOUTHCO	Aggregate Revenue Requirement and Determination of Retail Supply Tariff for the FY 2016-17
97	58/2015	21/MAR/2016	WESCO	Aggregate Revenue Requirement and Determination of Retail Supply Tariff for the FY 2016-17

#### 5. **Consumer Counsel**

The Commission had engaged World Institute for Sustainable Energy (WISE), Pune as consumer counsel for analysis of tariff applications of licensees for FY 2016-17. The said consumer counsel submitted its reports & presented its views during the tariff hearing of the Commission. The Commission has also engaged 9 NGOs/persons as consumer counsel to collect necessary feedback on consumer services from WESCO Utility, NESCO Utility, SOUTHCO Utility & CESU areas and participate in the tariff hearing. Out of which six consumer counsels had submitted their reports and participated in the tariff hearing of the Commission.

#### 6. **Drafting and legal vetting**

The Division drafted, and also made legal vetting of public notices, show cause notices, circulars etc. and assisted the Engineering Division in amendment of Regulations.

#### 7. **Legal Information**

The Division subscribed law journals/reports/Collected CDs such as ILR Cuttack publication, CLT, Supreme Court Cases and Energy Law Reports to update information on latest judicial precedents / legislative developments. It gathered relevant information on Acts, Rules, Regulations and Orders on legal and regulatory matters relating to electricity. Relevant Orders of High Courts, Supreme Court, Central Electricity Regulatory Commission (CERC), Appellate Tribunal for Electricity (ATE), Rules and Notifications of Govt. of Odisha/ Govt. of India.

## 7. SECRETARIAT & ADMINISTRATIVE FUNCTIONS

1. The Secretariat of the Commission looks after the day to day administration of the Commission. It is the pivot of the Commission's activities. Section 91(1) of the Act, 2003 envisages that the Commission may appoint a Secretary to exercise such powers and perform such duties as may be specified by the Commission. The OERC (Conduct of Business) Regulations, 2004 also defines the role of Secretary as the spokesman & representative of the Commission in all matters pertaining to its proceedings/hearings. Secretary of the Commission has also been declared as Head of Office by Govt. of Odisha. The Secretary is assisted by Deputy Director (Personnel & Administration) under the existing provisions.
2. The Commission Secretariat is the repository of the Commission's orders and records and carries out all correspondences on behalf of the Commission. The true copies/certified copies of orders, documents, and notification for and on behalf of the Commission are issued by the Secretariat. The Secretary being the custodian of the seal of the Commission acts as the ex-officio Secretary of the State Advisory Committee and is the first Appellate Authority under the RTI Act, 2005.
3. The Administration Section is manned by Deputy Director (P&A) and a Personal Assistant who supports him in day to day Administration Works. This Section provides vital support to the Commission in various matters such as recruitment, appointment of executives and non-executives, housekeeping, procurement of materials, equipment maintenance, organizing functions/seminars/ workshop, printing of Tariff Order & other publications, Audit & Accounts, matters relating to FOR, FOIR, CEA, CBIP, Ministry of Power, SAFIR, CIGRE, Assembly & Parliament, caretaking, security, training, performance appraisal, materials management etc.
4. Accounts Section under the Secretariat is manned by Accounts Officer who is assisted by Accountant-cum-Cashier and is responsible for preparation of bills, maintenance of accounts, reconciliation, audit (both financial & transactional) handling of cash and other accounts related work.

### **Officers & Staff**

5. The Commission has 18 nos. of officers and 29 nos. of staff of various categories as on 31.03.2016 (**Annexure-3**).

### **Organisation Chart**

6. The organization chart of Odisha Electricity Regulatory Commission (OERC) is shown at **Annexure-4**.

### **7. Assets acquisition**

- i. Nine nos. Telephone Instrument.
- ii. Two nos. 18.5" Samsung LED Monitor.
- iii. One set UPS.
- iv. One no. PA System.
- v. Fifty nos. ceiling Fan

## 8. Participation in Training/ Seminar/ Workshop/ Conference

Participation in Training/ Seminar/ Workshop/ Conference etc. are integral part of knowledge based organization like OERC. Officers and Staff have attended various training programmes, seminars, workshops & conferences in the year 2015-16 to enhance their professional skills and update their knowledge (**Annexure-8**).

## 8. CONSUMER INTEREST

Under the OER Act, 1995, the OERC is mandated to safeguard the interests of the state consumers and ensures that all consumers are provided with reliable, safe and uninterrupted power supply at reasonable rates. The Electricity Act, 2003 also provides wide ranging provisions to protect the interest of consumers. It gives electricity consumers a statutory right of minimum standards of supply and service. The Commission's approach to consumer protection has been proactive from the inception & in order to fulfill its legal obligation, the OERC has undertaken a number of steps to empower electricity consumers. They are -

### • Issue of regulations, codes, licenses and practice directions

The Commission has issued a number of Regulations, Codes and Practice Directions in order to safeguard the consumers' interest.

- OERC (Licensees Standards of Performance) Regulations, 28th May 2004.
- OERC (Grievances Redressal Forum and Ombudsman) Regulations, 17th May 2004.
- OERC (Procedure for filing appeal before the Appellate Authority) Regulations, 28th May 2004.
- OERC (State Advisory Committee) Regulations, 28th May 2004.
- OERC (Conduct of Business) Regulations, 28th May 2004.
- OERC (Terms and Conditions for Open Access) Regulations, 21st June 2005.
- OERC (Determination of Open Access Charges) Regulations, 18th July 2006.
- Odisha Grid Code (OGC) Regulations, 14th June 2006.

### • Consumer Friendly Tariff

- Introduction of Multi Year Tariff(MYT) in 2003
- Rationalization of Tariff towards cost base and voltage base
- Reduction of cross subsidy
- Quantification of T&D loss and benchmarks in tariff for restricting loss in Business Plans
- Introduction of Time of Day (ToD) tariff for all three phase consumers.
- Introduction of spot billing and meter cards
- Introduction of Voluntary Disclosure Scheme for unauthorized consumers
- Appointment of Consumer Counsel in Tariff Proceedings.
- Commission sets targets for loss reduction, franchisee appointment.
- Consumer counsel engaged for analysis and presentation of Tariff applications.

### • Standards of Performance & Grievance Redressal

- Introduction of guaranteed overall and individual Standards of Performance

- Performance Standards published annually
- Vigorous monitoring of licensees' performance
- Proceedings conducted by Commission to penalise the Distribution licensees' for non-compliance of GRF/Ombudsman orders
- Inspection by independent enquiry teams regarding the maintenance of transmission and distribution system.
- SAC Monitoring Subcommittee on quality of supply, standards of performance & commercial loss reduction, constituted.
- Alternate Dispute Resolution forum in OERC.
- Creation of 12 Grievance Redressal Fora and 2 Ombudsmen to dispose of consumer complaints
  - Inspection of GRF done by Commission's officers.
  - State level workshops to sensitize representative PR institutions & ULBs on standards of performance & tariff process.
  - Training & workshops held for Presidents/ Members of GRF/Ombudsman
- SAC representing cross-section of consumers in state constituted - Frequent Meetings are held for constructive advice
- State Co-ordination Forum formed by Govt. of Odisha - Chairperson & Members of OERC are Chairperson and Members of Forum
- District Committees formed
- **Pro-active Consumer education**
  - Annual publication of comprehensive book on Odisha power sector "Odisha Power Sector an Over view"
  - Direct consumer interface programs
  - Print & audio-visual campaign in news dallies, radio & TV on GRF & Ombudsman, safety environmental awareness.
  - Publication of FAQs, booklets & brochures
  - Translation of regulations into local languages
  - Networking of consumer groups empanelled with OERC
  - Compilation of Regulations published in English
- **Training & capacity building**
  - Extensive training for DISCOM staff by OERC on regulations/Electricity Act, 2003
  - Gramsat used to sensitize senior government functionaries on state power sector issues
  - Introduction of intra-state open access
  - State-wide Consumer Satisfaction Survey
  - State level workshop on consumer rights
  - Approval of Consumer Service Documents of DISCOMs and their license conditions
    - Consumer Rights Statement
    - Complaint Handling Procedure
    - Code of Procedure on Payment of Bills



- There is an existing Complaint Handling Procedure for disposal of consumer complaints. Aggrieved consumers can approach the Jr. Manager/SDO/Executive Engineer of DISCOMs and there is time bound schedule for disposal of their complaints at different levels. Each Division is required to have a Consumer Cell to deal with consumer complaints.
- With the enactment of Electricity Act, 2003, a statutory provision was made for disposal of consumer complaints by a two-tier mechanism consisting of Grievance Redressal Fora and Ombudsmen.

## 9. GRF AND OMBUDSMAN

1. At present there are 12 GRFs and two Ombudsmen working in the State. Their location and address are given below:

### **Twelve Grievance Redressal Fora (GRFs) & Two Ombudsmen**

1. The President, GRF, Dhenkanal, CESU, Near Fisheries Office, Kunjakant, Dhenkanal-759001.
2. The President, GRF, Cuttack, 3R-1, CESCO Colony, Badambadi, PO: Arundeo Nagar, Dist-Cuttack.
3. The President, GRF, Bhubaneswar, BCDD-I Campus, Power house, Bhubaneswar-8
4. The President, GRF, Khurda, CESU, Quarter No.3R/1, T.L.C. Colony, Khurda - 752055.
5. The President, GRF, Paradeep, CESU, AT-Pitambarpur, PO- Bhutmundai, Via-Kujang, Dist-Jagatsinghpur.
6. The President, GRF, Jajpur, NESCO, T.T.S. Colony, Dhabalagiri, At- Sobra, Jajpur.
7. The President, GRF, Balasore, NESCO, Near Kali Mandir, Balasore-756001.
8. The President, GRF, Rourkela, WESCO, Office of the S.E, Rourkela Electrical Circle, Q-2, Rourkela Civil Township, Rourkela.
9. The President, GRF, Burla, WESCO, Qtr No. D-2, Near Power House Club in Burla Town, P.O.Burla, Dist-Sambalpur-768017.
10. The President, GRF, Bolangir, WESCO, O/o S.E. (Elect), Bolangir Electrical Circle, At/Po-Bolangir.
11. The President, GRF, Berhampur, Near De Paul School, Engineering School Road, Berhampur-760010.
12. The President, GRF, Jeypore, SOUTHCO, Power House Colony, Jeypore, Dist-Koraput.

### **Two Ombudsmen**

- 1) Ombudsmen-I (CESU Zone), Qrs. No. 3R S/2, GRIDCO Colony, P.O. - Bhoinagar, Bhubaneswar- 751022.
- 2) Ombudsmen-II (NESCO, WESCO & SOUTHCO Zone), Qrs. No. 3R S/2, GRIDCO Colony, P.O. - Bhoinagar, Bhubaneswar- 751022.

2. As per reports of GRFs to the OERC from April 2015 to March 2016, 7274 cases were registered, 6132 cases were disposed off and 4805 of them were implemented by the licensees.
3. 247 cases came up for appeal before the two Ombudsmen, 185 were disposed off and 107 of them were implemented by the licensees at the end of March, 2016. The position is indicated as follows:

**Annual data on disposal of consumer complaints by the  
GRFs/Ombudsman for FY 2015-16**

Name of licensee	Name of GRFs/ Ombudsman	No of cases received / outstanding / from previous year	No of cases disposed	No of cases pending	Cases passed in favour of consumer	No. of order impleme- nted by the licensees (current & previous)
NESCO	Balasore	427	387	40	387	387
	Jajpur	245	227	18	227	227
SOUTHCO	Berhampur	668	504	164	504	504
	Jeypore	473	343	130	343	343
WESCO	Burla	446	435	11	435	435
	Rourkela	457	378	79	378	378
	Bolangir	727	503	224	503	503
CESU	Bhubaneswar	506	498	8	498	498
	Khurda	637	621	16	621	621
	Cuttack	1093	1056	37	1056	1056
	Dhenkanal	858	612	246	612	612
	Paradeep	737	568	169	568	568
	<b>Total</b>	<b>7274</b>	<b>6132</b>	<b>1142</b>		
Ombudsman-I	CESU	125	100	25	86	60
Ombudsman-II	NESCO, WESCO SOUTHCO	122	85	37	71	47
	<b>Total</b>	<b>247</b>	<b>185</b>	<b>62</b>		

4. The Consumer can also approach the Commission directly under Section 142 of the Electricity Act, 2003 if any provisions of the Act or any regulation is violated by the licensee. The Commission has set up its own Grievance Redressal Cell to monitor disposal of consumer complaints by the licensee. As on March 2016, 307 consumer complaints were registered with the Cell. They were forwarded to the concerned GRFs/DISCOMs for necessary action and as per their reports, 283 were disposed off.
5. In order to expedite disposal of consumer complaints forwarded by the Commission to DISCOMs and ensure implementation of orders of GRFs/Ombudsman, the Commission introduced a quarterly meeting for monitoring of consumer complaints by the DISCOMs/GRFs/Ombudsmen. Four such meetings were held on 30.04.2015,

28.07.2015, 02.11.2015 & 01.02.2016 respectively. Quarterly data on disposal of consumer complaints by DISCOMs/implementation of orders of GRF/Ombudsman were compiled and put up to the Commission and the same were also posted online on the Commission's Website. This helped to improve the disposal of consumer complaints by DISCOMs/GRFs/Ombudsmen considerably.

6. Teams of officers of OERC also visited GRF & Ombudsman offices and inspected their records & functioning as per statutory requirement. The reports were approved by the Commission and forwarded to the DISCOMs for compliance.

#### **Publicity**

7. In order to ensure transparency, all orders of the Commission on major issues are passed after conducting open public hearings. In 2015-16 the Commission carried out a number of public relation activities including press briefings during the annual tariff hearing, issue of press releases and preparation of promotional materials.
8. Consumer interface programmes were held at Bhubaneswar, Khurda, Cuttack, Paradeep, Dhenkanal, Jajpur, Balasore, Burla, Bolangir, Rourkela, Berhampur and Jeypore.

#### **Publication**

9. A Compendium of Orders on Annual Revenue Requirement & Bulk Supply & Retail Supply Tariff for FY 2015-16 was published by OERC and distributed among various stakeholders including consumer groups.
10. Copies of the FAQ (Frequently Asked Questions of Electricity Consumers) in English & Oriya were distributed among various consumer groups, for creating greater awareness of Rules, Regulations and Standards in the Sector.

#### **STATE ADVISORY COMMITTEE (SAC) MEETING**

The State Advisory Committee meetings are usually held in every quarter of a year. During the year there were three meetings held at Conference Hall of OERC on 07.07.2015, 14.12.2015 & 18.02.2016.

#### **• 7<sup>th</sup> MEETING OF SAC OF OERC HELD ON 07.07.2015**

The 7<sup>th</sup> meeting of the SAC was held in the Conference Hall of the OERC at 3:30 PM on 07.07.2015. Sri S.P. Nanda, Chairperson, OERC presided over the meeting and Members Sri S. P. Swain, Member Sri A. K. Das, Shri Hemant Sharma, MD, GRICO/OPTCL and Administrator NESCO, WESCO & SOUTHCO were present with the heads of Utilities. 18 SAC Members attended the meeting. The agenda points of discussion were as follows:

- Item No.1: Discussion on proceedings of workshops conducted at DISCOMs headquarters involving GRFs and senior officials of DISCOMs.
- Item No.2: Role of SAC in improvement of consumer service, quality of power supply and settlement of consumer grievances.

Item No 3: Any other item with permission of the Chair.

The Chairperson concluded the meeting with thanks to all members for their suggestions and declared that a follow up meeting would be held after written submission by all members. He thanked all members for their participation and valuable views.

- **8<sup>th</sup> MEETING OF SAC OF OERC HELD ON 14.12.2015**

The 8<sup>th</sup> meeting of the SAC was held in the Conference Hall of the OERC at 3:30PM on 14.12.2015. Sri S.P. Nanda, Chairperson, OERC presided over the meeting. Member Sri A. K. Das and 21 SAC Members along with heads of the Utilities attended the meeting. The discussion focused on the following agenda points.

Item No.1: Action taken report on the last SAC meeting dtd. 07.07.2015

Item No.2: Power Regulation in Odisha

Item No.3: Commission order on Rooftop Solar Projects.

Item No 4: Any other item with permission of the Chair.

The Chairperson asked all SAC members to submit their observations in writing. He wound up the discussion by saying that Odisha had enough means to make power available through IPPs and could become self-sufficient once the economy picks up. All units would then be commissioned and OPTCL would have to work out the evacuation plan. Regarding solar power, he said the Commission's order was a beginning and the State was slowly moving forward. The rooftop solar project of 100KW in the Secretariat by OREDA was not grid connected and is wastage especially on the holidays. Grid connection is necessary, he felt. Policy and implementation will impact tariff, added the Chairperson. He assured the SAC members that the Commission would try to protect interests of all consumers in the tariff hearing. Odisha is the only State that had managed without tariff subsidy for 17 years and could therefore be considered a success. He thanked all members for their participation and valuable views.

- **9<sup>th</sup> MEETING OF SAC OF OERC HELD ON 18.02.2016**

The 9<sup>th</sup> meeting of the SAC was held in the Conference Hall of the OERC at 3:30 PM on 18.02.2016. Sri S.P. Nanda, Chairperson, OERC presided over the meeting. Member Sri A. K. Das and 21 SAC Members along with heads of the Utilities attended the meeting. The discussion focused on the following agenda points.

Item No.1: Discussion on ARR and Tariff Proposals for FY 2016-17 consequent to the tariff hearing made by the Commission.

Item No 2: Any other item with permission of the Chair.

After hearing to all the SAC members, Chairperson, OERC stated that the Commission had taken note of the concerns of all the SAC members and would address the same to the best of its ability in the Tariff order. He added that the Commission was trying to balance the interests of various stakeholders under trying

circumstances. Odisha was much better off than other States. He thanked all members for their participation and valuable views.

# **ANNEXURES**

## Annexure-1

### RETAIL SUPPLY TARIFF EFFECTIVE FROM 1ST APRIL, 2016

Sl. No.	Category of Consumers	Voltage of Supply	Demand Charge (Rs./KW/Month)/ (Rs./KVA/Month)	Energy Charge (P/kWh)	Customer Service Charge (Rs./Month)	Monthly Minimum Fixed Charge for first KW or part (Rs.)	Monthly Fixed Charge for any additional KW or part (Rs.)	Rebate (P/kWh)/ DPS
	<b>LT Category</b>							
1	Domestic							
1.a	Kutir Jyoti <= 30 Units/month	LT	FIXED MONTHLY CHARGE-->			80		
1.b	Others							10
	(Consumption <= 50 units/month)	LT		250.00		20	20	
	(Consumption >50, <=200 units/month)	LT		420.00				
	(Consumption >200, <=400 units/month)	LT		520.00				
	Consumption >400 units/month)	LT		560.00				
2	General Purpose < 110 KVA							10
	Consumption <=100 units/month	LT		530.00		30	30	
	Consumption >100, <=300 units/month	LT		640.00				
	(Consumption >300 units/month)	LT		700.00				
3	Irrigation Pumping and Agriculture	LT		150.00		20	10	10
4	Allied Agricultural Activities	LT		160.00		20	10	10
5	Allied Agro-Industrial Activities	LT		420.00		80	50	DPS/Rebate
6	Public Lighting	LT		560.00		20	15	DPS/Rebate
7	L.T. Industrial (S) Supply <22 KVA	LT		560.00		80	35	10
8	L.T. Industrial (M) Supply >=22 KVA <110 KVA	LT		560.00		100	80	DPS/Rebate
9	Specified Public Purpose	LT		560.00		50	50	DPS/Rebate
10	Public Water Works and Sewerage Pumping <110 KVA	LT		560.00		50	50	10
11	Public Water Works and Sewerage Pumping >=110 KVA	LT	200	560.00	30			10
12	General Purpose >= 110 KVA	LT	200	560.00	30			DPS/Rebate
13	Large Industry	LT	200	560.00	30			DPS/Rebate
	<b>HT Category</b>							
14	Bulk Supply - Domestic	HT	20	430.00	250			10
15	Irrigation Pumping and Agriculture	HT	30	140.00	250			10
16	Allied Agricultural Activities	HT	30	150.00	250			10
17	Allied Agro-Industrial Activities	HT	50	410.00	250			DPS/Rebate
18	Specified Public Purpose	HT	250		250			DPS/Rebate
19	General Purpose >70 KVA < 110 KVA	HT	250		250			10
20	H.T Industrial (M) Supply	HT	150		250			DPS/Rebate
21	General Purpose >= 110 KVA	HT	250		250			DPS/Rebate
22	Public Water Works & Sewerage Pumping	HT	250		250			10
23	Large Industry	HT	250		250			DPS/Rebate
24	Power Intensive Industry	HT	250		250			DPS/Rebate
25	Mini Steel Plant	HT	250		250			DPS/Rebate
26	Railway Traction	HT	250		250			DPS/Rebate
27	Emergency Supply to CGP	HT	0	720.00	250			DPS/Rebate
28	Colony Consumption	HT	0	470.00	0			DPS/Rebate
	<b>EHT Category</b>							
29	General Purpose	EHT	250		700			DPS/Rebate
30	Large Industry	EHT	250		700			DPS/Rebate
31	Railway Traction	EHT	250		700			DPS/Rebate
32	Heavy Industry	EHT	250		700			DPS/Rebate
33	Power Intensive Industry	EHT	250		700			DPS/Rebate
34	Mini Steel Plant	EHT	250		700			DPS/Rebate
35	Emergency Supply to CGP	EHT	0	710.00	700			DPS/Rebate
36	Colony Consumption	EHT	0	460.00	0			DPS/Rebate

**Note:**

**Slab rate of energy charges for HT & EHT (Paise/unit)**

Load Factor (%)	HT	EHT
= < 60%	525	520
> 60%	420	415

- (i) The reconnection charges w.e.f. 01.4.2015 shall continue unaltered

<b>Category of Consumers</b>	<b>Rate Applicable</b>
LT Single Phase Domestic Consumer	Rs.150/-
LT Single Phase other consumer	Rs.400/-
LT 3 Phase consumers	Rs.600/-
All HT & EHT consumers	Rs.3000/-

- (ii) Energy Charges shall be 10% higher in case of temporary connection compared to the regular connection in respective categories.

- (iii) The meter rent w.e.f. 01.4.2016 shall remain unaltered as follows:

<b>Type of Meter</b>	<b>Monthly Meter Rent (Rs.)</b>
1. Single phase electro- magnetic Kwh meter	20
2. Three phase electro- magnetic Kwh meter	40
3. Three phase electro- magnetic tri-vector meter	1000
4. Tri-vector meter for Railway Traction	1000
5. Single phase Static Kwh meter	40
6. Three Phase Static Kwh meter	150
7. Three phase Static Tri-vector meter	1000
8. Three phase Static Bi-vector meter	1000
9. LT Single phase AMR/AMI Compliant meter	50
10. LT Three phase AMR/AMI compliant meter	150

Note: Meter rent for meter supplied by DISCOMs shall be collected for a period of 60 months only. Once it is collected for sixty months meter rent collection should stop.

- (iv) A Reliability surcharge @ 10 paise per unit will continue for HT and EHT consumers availing power irrespective of nature of feeder. This surcharge @ 10 paise per unit shall be charged if reliability index is more than 99% and above and voltage profile at consumer end remains within the stipulated limit. (For details see the order)
- (v) Prospective small consumers requiring new LT single phase connection upto and including 5 kW load shall only pay a flat charge of Rs.1500/- as service connection charges towards new connection excluding security deposit as applicable as well as processing fee of Rs.25/-. The service connection charges include the cost of material and supervision charges.
- (vi) A “Tatkal Scheme” for new connection is applicable to LT Domestic, Agricultural and General Purpose consumers.
- (vii) In case of installation with static meter/meter with provision of recording demand, the recorded demand rounded to nearest 0.5 KW shall be considered as the contract demand requiring no verification irrespective of the agreement. Therefore, for the purpose of calculation of Monthly Minimum Fixed Charge (MMFC) for the connected load below 110 KVA, the above shall form the basis.

- (viii) The billing demand in respect of consumer with Contract Demand of less than 110 KVA should be the highest demand recorded in the meter during the Financial Year irrespective of the Connected Load, which shall require no verification.
- (ix) Three phase consumers with static meters are allowed to avail TOD rebate excluding Public Lighting and emergency supply to CGP @ 20 paise/unit for energy consumed during off peak hours. Off peak hours has been defined as **12 Midnight to 6 AM of next day**.
- (x) Hostels attached to the Schools recognised and run by SC/ST Dept., Govt. of Odisha shall get a rebate of Rs.2.40 paise per unit in energy charge under Specified Public Purpose category (LT / HT) which shall be over and above the normal rebate for which they are eligible.
- (xi) Swajala Dhara consumers under Public Water Works and Sewerage Pumping Installation category shall get special 10% rebate if electricity bills are paid within due date over and above normal rebate.
- (xii) During the statutory restriction imposed by the Fisheries Department, the Ice Factories located at a distance not more than 5 Km. towards the land from the sea shore of the restricted zone will pay demand charges based on the actual maximum demand recorded during the billing period.
- (xiii) Poultry Farms with attached feed units having connected load less than 20% of the total connected load of poultry farms should be treated as Allied Agricultural Activities instead of General Purpose category for tariff purpose. If the connected load of the attached feed unit exceeds 20% of the total connected load then the entire consumption by the poultry farm and feed processing unit taken together shall be charged with the tariff as applicable for General Purpose or the Industrial Purpose as the case may be.
- (xiv) The food processing unit attached with cold storage shall be charged at Agro-Industrial tariff if cold storage load is not less than 80% of the entire connected load. If the load of the food processing unit other than cold storage unit exceeds 20% of the connected load, then the entire consumption by the cold storage and the food processing unit taken together shall be charged with the tariff as applicable for general purpose or the industrial purpose as the case may be.
- (xv) Drawal by the industries during off-peak hours upto 120% of Contract Demand without levy of any penalty has been allowed. "Off-peak hours" for the purpose of tariff is defined as from **12 Midnight to 6.00 A.M.** of the next day. The consumers who draw beyond their contract demand during hours other than the off-peak hours shall not be eligible for this benefit. If the drawal in the off peak hours exceeds 120% of the contract demand, overdrawal penalty shall be charged over and above the 120% of contract demand. When Statutory Load Regulation is imposed then restricted demand shall be treated as contract demand.
- (xvi) General purpose consumers with Contract Demand (CD) < 70 KVA shall be treated as LT consumers for tariff purposes irrespective of level of supply voltage. As per Regulation 76 (1) (c) of OERC Distribution (Conditions of Supply) Code, 2004 the supply for load above 5 KW upto and including 70 KVA shall be in 2-phase, 3-wires or 3-phase, 3 or 4 wires at 400 volts between phases.



(xvii) Own Your Transformer – “OYT Scheme” is intended for the existing individual LT domestic, individual/Group General Purpose consumers who would like to avail single point supply by owning their distribution transformer. In such a case licensee would extend a special concession of 5% rebate on the total electricity bill (except electricity duty and meter rent) of the respective category apart from the normal rebate on the payment of the bill by the due date. If the payment is not made within due date no rebate, either normal or special is payable. The maintenance of the ‘OYT’ transformer shall be made by DISCOM utilities. For removal of doubt it is clarified that the “OYT Scheme” is not applicable to any existing or new HT/EHT consumer.

(xviii) Power factor penalty shall be

iv) 0.5% for every 1% fall from 92% upto and including 70% plus

v) 1% for every 1% fall below 70% upto and including 30% plus

vi) 2% for every 1% fall below 30%

The penalty shall be on the monthly demand charges and energy charges

There shall not be any power factor penalty for leading power factor. (Please see the detailed order for the category of consumers on whom power factor penalty shall be levied.)

(xix) The power factor incentive shall be applicable to the consumers who pay power factor penalty in the following rate:

The rate of power factor incentive shall be 0.5% for every 1% rise above the PF of 97% up to and including 100% on the monthly demand charges and energy charges.

(xx) The printout of the record of the static meter relating to MD, PF, number and period of interruption shall be supplied to the consumer wherever possible with a payment of Rs.500/- by the consumer for monthly record.

(xxi) Tariff as approved shall be applicable in addition to other charges as approved in this Tariff order w.e.f. 01.4.2016. However, for the month of April, 2016 the pre-revised tariff shall be applicable if meter reading / billing date is on or before 15.4.2016. The revised tariff shall be applicable if meter reading/billing date is on 16.4.2016 or afterwards. The billing cycle as existing shall not be violated by the DISCOM utilities.

**Annexure – 2**

**ODISHA ELECTRICITY REGULATORY COMMISSION**

**PERFORMANCE OF ELECTRICITY DISTRIBUTION COMPANIES  
IN ODISHA DURING 2014-15 AS REPORTED AND FURNISHED THROUGH AN AFFIDAVIT**

**ACHIEVEMENT ON OVERALL STANDARDS OF PERFORMANCE:**

<b>LICENSEES</b>	<b>Period</b>	<b>CESU</b> For the year 14-15	<b>NESCO</b> For the year 14-15	<b>WESCO</b> For the year 14-15	<b>SOUTHCO</b> For the year 14-15
Achievement in % of the licensees in the following service area	Minimum % target fixed by the Commission				
Rectification of fuse-off call within 6 hrs. of receiving the complaint in urban areas	90	100.00	100.00	99.99	100.00
Rectification of fuse-off call within 24 hrs. of receiving the complaint in rural areas	90	100.00	100.00	99.74	100.00
Restoration of line break-down within 12 hrs. of receiving the complaint in urban areas	95	100.00	100.00	99.73	100.00
Restoration of line break-down within 24 hrs. of receiving the complaint in rural areas	95	100.00	99.77	98.09	100.00
Replacement of Distribution Transformer within 24 hrs. of receiving the complaint in urban areas	95	100.00	100.00	99.64	100.00
Replacement of Distribution Transformer within 48 hrs. of receiving the complaint in rural areas	95	100.00	99.78	97.09	100.00
Completing the work within 12 hrs. of the scheduled outage before 5 PM/6 PM	90	100.00	--	--	--
No. of hourly measurement in which the supply frequency went beyond $\pm 3\%$	--	--	--	--	--
No. of cases in which voltage at the point of commencement of supply exceeded 3% of the voltage limits fixed under I.E. Rules, 1956					
EHT		--	--	--	--
HT		--	--	--	--
LT		--	--	--	--
Rectification of Street light fault within 6 hrs. of receiving the complaint	90	92	--	90	100.00
No. of faulty bills prepared as a percentage of total no. of bills issued	0.1	10	0.75	0.1	0.1
No. of faulty/defective meters as a percentage of total no. of existing meters	5	10	19	5	12
Total no. of interruption each lasting more than 5 minutes faced by 1 KW connected load (SAIFI)		109	219	27	164
Total no. of interruption each lasting less than 5 minutes faced by 1 KW connected load (MAIFI)		59	43	21	154
Total duration of interruption in minutes each 1 KW connected load (SAIDI)		3366	2820	642	5275
<b>No. of accident cases</b>		13-14 14-15	13-14 14-15	13-14 14-15	13-14 14-15
Fatal Human		21 19	09 12	12 21	36 29
Fatal Animal		17 14	07 05	09 13	26 33
Non-fatal Human		27 14	06 07	07 15	20 17
Non-fatal Animal		02 06	02 05	0 0	0 02
<b>Note:</b>					

1. The information on Guaranteed Standards of Performance is available in the OERC website: [www.orierc.org](http://www.orierc.org) and in respective websites of the Distribution Licensees i.e. [www.cescoOdisha.com](http://www.cescoOdisha.com) for CESU, [www.nescoOdisha.com](http://www.nescoOdisha.com) for NESCO Utility, [southcoOdisha.com](http://southcoOdisha.com) for SOUTHCO Utility and [wescoOdisha.com](http://wescoOdisha.com) for WESCO Utility.

2. The aforesaid information are based on the data furnished by the Distribution Licensees submitted through affidavit and is not based on any independent audit carried out by the Commission.

3. Members of the public may furnish their comments on the above data to the Commission.

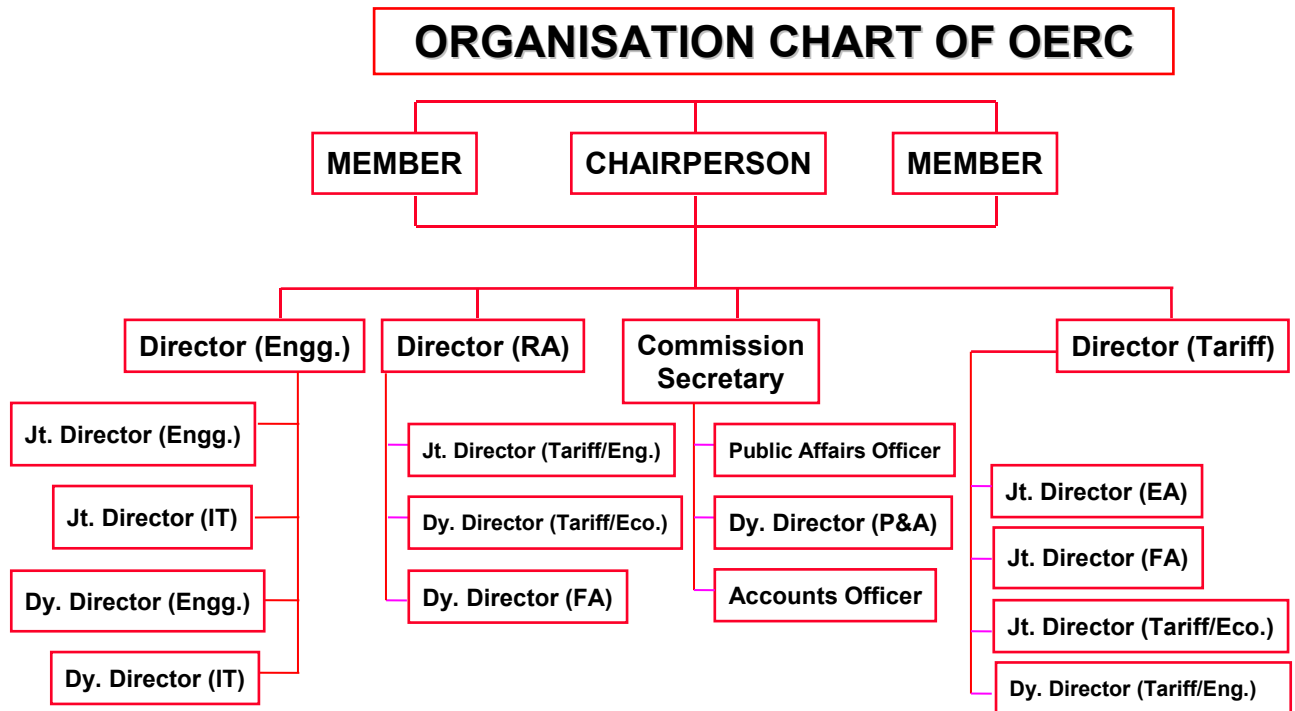
Issued by OERC in Public interest.

**OFFICERS AND STAFF OF THE COMMISSION**

The Commission being the oldest in the country has a committed strength of officers and staff of mixed category i.e. Permanent, Deputation and Contractual Staff. The persons in position as on 31.03.2016 are detailed in the table below:-

<b>Sl No.</b>	<b>Designation</b>	<b>Persons in position</b>
1	Commission Secretary	Sri G.P. Mishra
2	Director (Engg.)	Sri K.L. Panda
3	Director (Tariff)	Sri K.L. Panda I/c
4	Director (Regulatory Affairs)	Sri P. Pattnaik
5	Jt. Director (Engg.)	
6	Jt. Director (Economic Analysis)	Dr. M.S. Panigrahi
7	Jt. Director (Financial Analysis)	Sri S.M. Patnaik
8	Jt. Director (IT)	Shri J.C. Mohanty
9	Jt. Director (Tariff/Eco.)	Dr. (Mrs.) A. Das
10	Jt. Director (Tariff/Engg)	Sri A.K. Panda
11	Jt. Director	Sri Ajoy Sahu
12	Jt. Director (Tariff)	Sri S.P. Mishra
13	Public Affairs Officer	Ms. Purabi Das
14	Dy. Director (Financial Analysis)	Sri C.K. Biswal
15	Dy. Director (IT)	Sri S.C. Biswal
16	Dy. Director (Engg)	
17	Dy. Director (P&A)	Sri A.K. Nayak
18	Dy. Director (T/Engg)	Sri A.K. Jagadev
19	Dy. Director (T/Eco.)	Sri A.K. Samantara
20	Accounts Officer	Sri P.K. Tripathy
21	Personal Assistant	Sri M. Moharana
22	Personal Assistant	Sri L.N. Padhi
23	Personal Assistant	Sri S.K. Sahoo
24	Personal Assistant	Sri P.K. Sahoo
25	Personal Assistant	Sri K.C. Tudu
26	Personal Assistant	Sri S.K. Das
27	Personal Assistant	Smt. L.B. Patnaik
28	Personal Assistant	Smt. S. Mishra
29	Accountant cum Cashier	Sri Jaypal Das
30	Jr. Caretaker-cum-Receptionist	Smt. Mamatarani Nanda
31	Driver	Sri R.C. Majhi
32	Driver	Sri Jalandhar Khuntia
33	Driver	Sri Jadunath Barik
34	Driver	Sri Ashok Ku. Digal
35	Driver	Sri Prakash Kumar Nayak
36	Driver	Sri Maheswar Nanda
37	Driver	Sri Sampad Kumar Parida
38	Peon	Sri Pitamber Behera

39	Peon	Sri Umesh Ch. Rout
40	Peon	Sri Sudarsan Behera
41	Peon	Sri P.K. Behera
42	Peon	Sri Bijoy Ku. Majhi
43	Peon	Sri R.C. Sahoo
44	Peon	Sri Abhimanyu Jena
45	Peon	Sri S.K. Mohapatra
46	Peon	Sri Rabindra Ku. Mekup
47	Peon	Sri Pradip Ku. Pradhan
48	Sweeper	Sri Ramesh Chandra Nayak
49	Sweeper	Sri Prafulla Kumar Nayak



**Annexure-5**

**Income & Expenditure Account for the year ended 31st'March 2016**

<b>Expenditure</b>	<b>Figures for the current year</b>	<b>Income</b>	<b>Figures for the current year</b>
<b>1</b>	<b>2</b>	<b>3</b>	<b>4</b>
1. Payment to and provisions towards salaries	4,65,79,105.00	1.Grants-in-aid from the Government of Odisha.	-
2. Office & Establishment & Repair & Maintenance Expenses	1,70,47,550.96	2. Grant from Other Sources.	-
3.Depreciation of Assets.	5,95,841.32	3. Receipts of the Commission	9,90,56,122.05
4. Other Expenditure.	3,15,041.00	4. Interest on	
5. Excess of Income over Expenditure	5,10,62,238.30	a) Cash at Bank	46,79,369.53
		b) Investment	1,18,64,285.00
		5. Excess of Expenditure over Income	-
	<b>11,55,99,776.58</b>		<b>11,55,99,776.58</b>

This is Audited Figure

**Annexure-6****Receipt and Payment Account for the year ended 31st March 2016**

<b>Receipts</b>	<b>Figures for the current year</b>	<b>Payments</b>	<b>Figures for the current year</b>
<b>1</b>	<b>2</b>	<b>3</b>	<b>4</b>
1. To balance b/d.		1. By Payment to and provisions for employees	4,28,86,961.00
(i) Cash at Bank	12,03,36,832.95	2. By Office and Establishment Expenses	1,62,89,683.96
(ii)Cash in Hand	6,786.00	3. By Purchase of Assets	4,31,858.00
2. To Grants-in-aid from the Government of Odisha	-	4. By Advances a) Advances to employees b) Contingent Advances c) Advance Payment of Income Tax/TDS	37,09,717.00
3. To Grant from Other Sources	-	5. Deposits Payments (Fixed Deposit in Bank)	13,96,51,878.00
4. To Receipts of the Commission	10,85,82,497.53	6. By Balance c/d. (i) Cash at Bank	9,11,14,223.52
		(ii)Cash in Hand	6,786.00
5. Receipts from Investment	8,80,00,000.00	7. Other Expenditure	3,22,839.00
		8. Other Payments	2,25,12,170.00
	<b>31,69,26,116.48</b>		<b>31,69,26,116.48</b>

This is Audited Figure



Annexure – 7

**Balance Sheet as on 31<sup>st</sup> March of the year 2016**

<b>Liabilities</b>	<b>Figures for the current year</b>	<b>Assets</b>	<b>Figures for the current year</b>
<b>1</b>	<b>2</b>	<b>3</b>	<b>4</b>
1. General Fund	16,76,24,210.87	1.Fixed Assets	8,50,76,601.84
Add: (Less) Excess of income over Expenditure (or expenditure over Income) during the year transferred from Income and Expenditure account.	5,10,62,238.30	2.Investment	13,96,51,878.00
2. Loans	Nil	3.Current Assets and Advances.	13,98,90,081.07
3. Current liabilities and provisions.	14,59,32,111.74	4.Grants-in-aid receivable from Government of Odisha.	-
		5.Grants from other sources	Nil
	<b>36,46,18,560.91</b>		<b>36,46,18,560.91</b>

This is Audited Figure

**Annexure-8****Seminars/Workshops/Training Programmes attended by  
Commissioners/Officers/Officials during the FY 2015-16**

<b>Sl. No.</b>	<b>Name and Designation</b>	<b>Particulars of Programme</b>	<b>Duration</b>	<b>Venue</b>	<b>Programme Conducted/ Sponsored by</b>
1	Shri S. P. Nanda, Chairperson	47 <sup>th</sup> Meeting of Forum of Regulators	10 <sup>th</sup> April, 2015	New Delhi	FOR
2	Shri A.K. Das, Member	16 <sup>th</sup> Annual General Body Meeting of FOIR	10 <sup>th</sup> June, 2015	New Delhi	FOIR
3	Shri S. P. Swain, Member	48 <sup>th</sup> Meeting of Forum of Regulators	10 <sup>th</sup> & 11 <sup>th</sup> June, 2015	New Delhi	FOR
4	Shri Ajoy Sahu, Joint Director	SAFIR Core Course on “Infrastructure Regulation & Reform”	16 <sup>th</sup> -18 <sup>th</sup> Nov., 2015	Hyderabad	ASCI
5	Shri P. Pattnaik, Director (RA)	9 <sup>th</sup> Capacity Building / Training Programme for Officers of Electricity Regulatory Commissions.	21 <sup>st</sup> – 26 <sup>th</sup> Nov. 2015	IIT Kanpur & Singapore	FOR
6	Shri A.K. Das, Member	51 <sup>st</sup> Meeting of Forum of Regulators (FOR)	30 <sup>th</sup> Nov. 2015	New Delhi	FOR
7	Shri A.K. Das, Member	FOIR Workshop/Research Conference for the Chairpersons and Members of Regulatory Commissions/ Authorities	1 <sup>st</sup> Dec. 2015	New Delhi	FOIR
8	Shri Saktipada Mishra, Jt. Director (Tariff)	Energy Storage India Conference (ESI), 2015	07 <sup>th</sup> – 9 <sup>th</sup> Dec., 2015	New Delhi	Messe Dusseldorf India
9	Shri A.K. Das, Member	Odisha Power Conclave	24 <sup>th</sup> Feb., 2016	BBSR	IUKAN
10	Shri K.L. Panda, Director (Engg)	-do-	-do-	-do-	-do-
11	Saktipada Mishra, Jt. Director (Tariff)	One day Workshop/Training Course for SNA Officials	28 <sup>th</sup> March, 2016	BBSR	NIWE
12	Shri Hrudananda Parida, Consultant (Legal)	Two day residential training programme on “Legal Aspects of Regulations”	28 <sup>th</sup> – 29 <sup>th</sup> March, 2016.	Faridabad	FOR

\*\*\*\*\*